

**JK-T1900A**

**零件样本**

**PARTS BOOK**

**New JACK Sewing  
Machine**

**2013 年 7 月版**

**Revised edition in July, 2013**

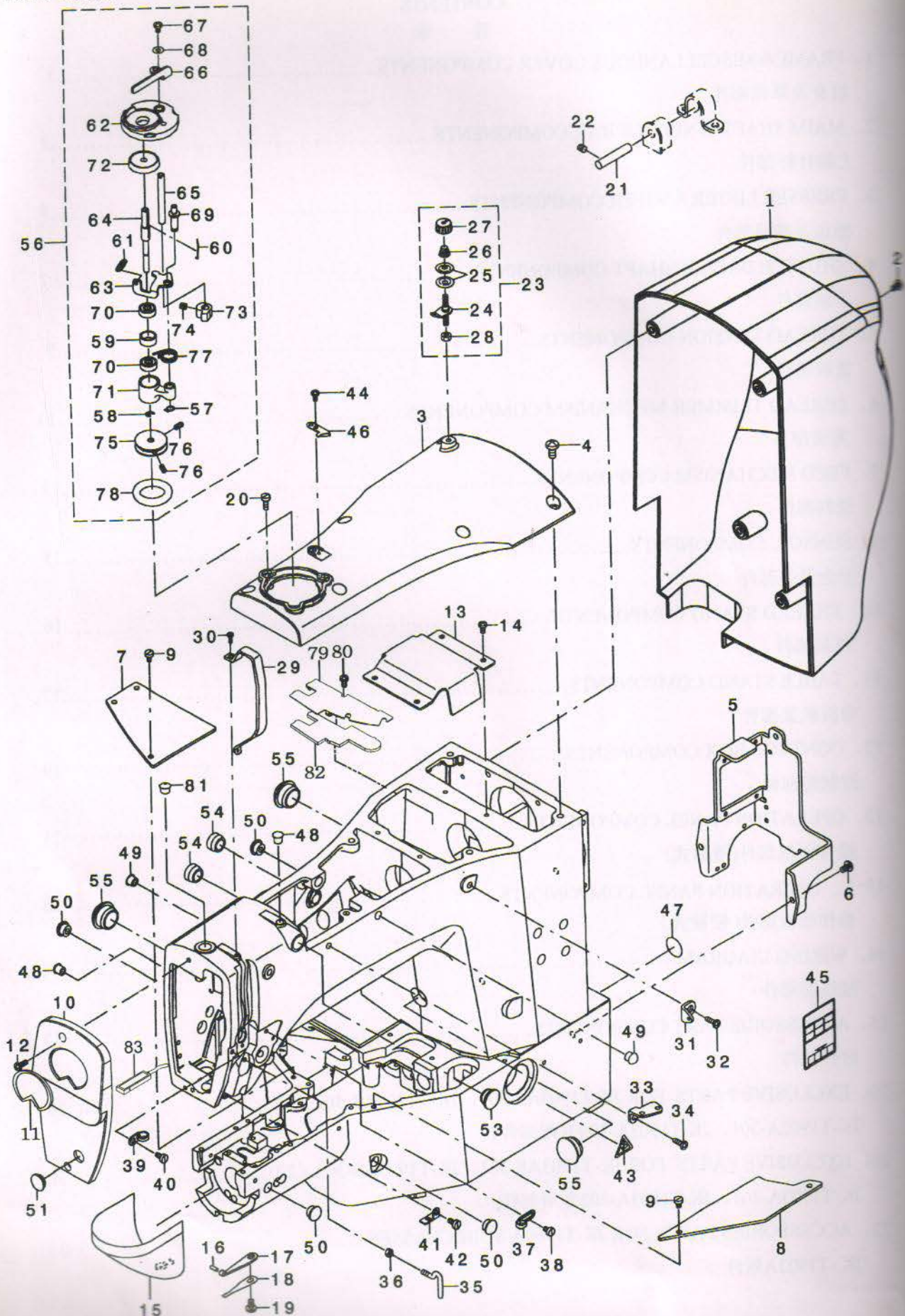
## CONTENTS

### 目 录

1、	FRAME & MISCELLANEOUS COVER COMPONENTS.....	1
	机身及罩壳部件	
2、	MAIM SHAFT & NEEDLE BAR COMPONENTS.....	3
	上轴针杆部件	
3、	PRESSER LIFTER & WIPER COMPONENTS.....	5
	抬压及拨线部件	
4、	SHUTTLE DRIVER SHAFT COMPONENTS.....	7
	下轴部件	
5、	THREAD TENSION COMPONENTS.....	9
	紧线部件	
6、	THREAD TRIMMER MECHANISM COMPONENTS.....	11
	剪线部件	
7、	FEED MECHANISM COMPONENTS.....	13
	送料部件	
9、	SENSOR COMPONENTS.....	15
	安全开关部件	
10、	THREAD STAND COMPONENTS.....	16
	线架部件	
11、	TABLE STAND COMPONENTS.....	17
	台板机架部件	
12、	CONTROL BOX COMPONENTS.....	19
	控制箱部件	
13、	OPERATION PANEL COMPONENTS.....	21
	操作面板部件(液晶式)	
13-1、	OPERATION PANEL COMPONENTS.....	23
	操作面板部件(按键式)	
14、	WIRING DIAGRAM.....	25
	接线图部件	
15、	ACCESSORIE PART COMPONENTS.....	27
	附件部件	
20、	EXCLUSIVE PARTS FOR JK-T1903AS-301, JK-T1903AS-302 (1) .....	29
	JK-T1903A-301, JK-T1903A-302专用部件1	
21、	EXCLUSIVE PARTS FOR JK-T1903AS-301, JK-T1903AS-302 (2) .....	31
	JK-T1903A-301, JK-T1903A-302专用部件2	
22、	ACCESSORIES PARTS FOR JK-T1900A SUBBCLASSES.....	33
	JK -T1903A附件	



# 1. FRAME & MISCELLANEOUS COVER COMPONENTS 机身及罩壳部件



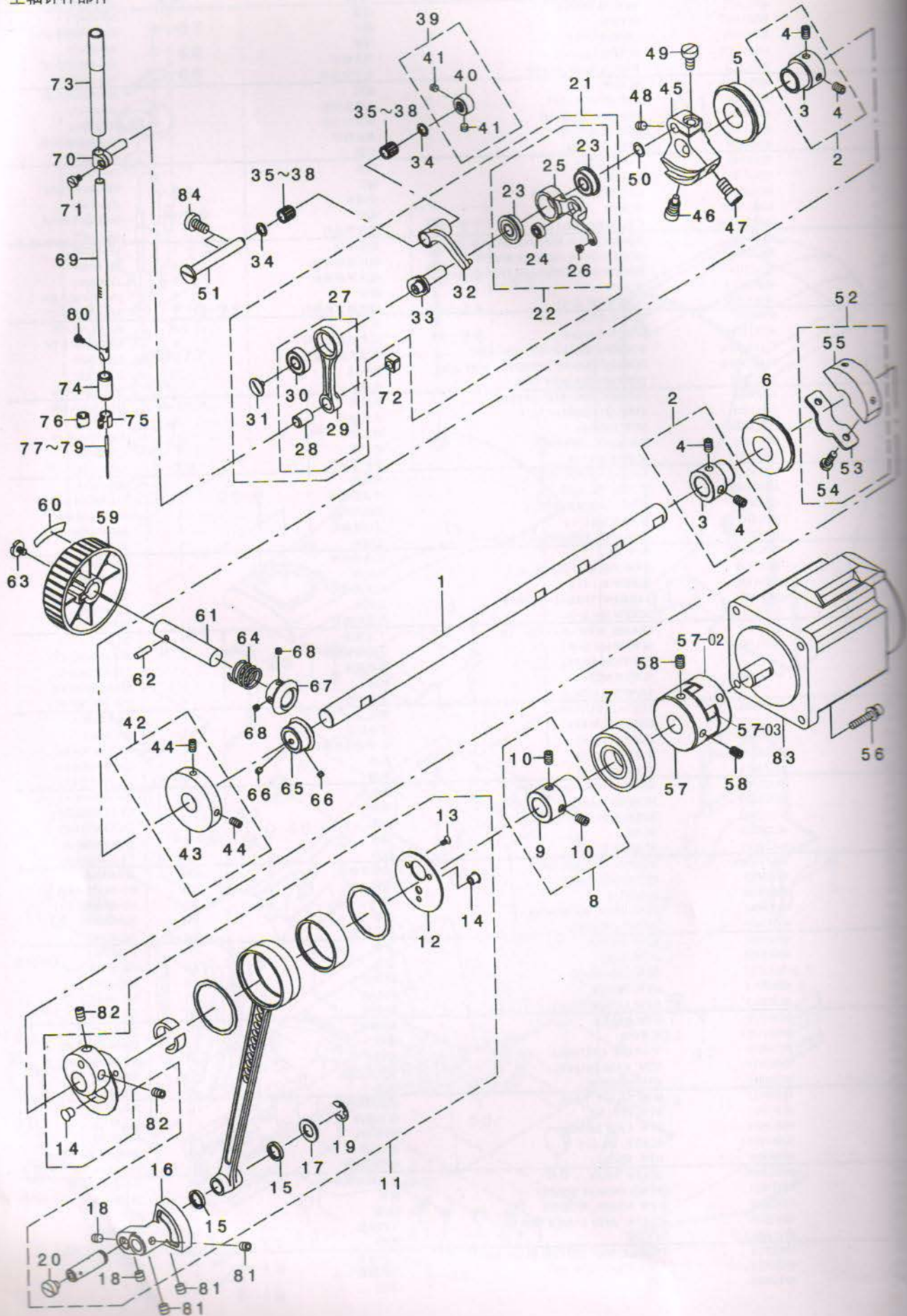


序号	注解	公司件号	DESCRIPTION	名称	用量	同类编号
1		40311022	MOTOR COVER	后罩	1	400-06475
2		403S11013	SCREW	螺钉	4	SM-5040855-SN
3		40301027	UPSIDE CVER	顶盖	1	400-06478
4		403S11009	SCREW M6 L=12	顶盖螺钉	6	SM-4061255-SP
5		40312059	PROTECTION-PLATE	电子安装板	1	400-10404
6		403S11010	SCREW	螺钉	3	SM-4050855-SP
7		40312060	BED COVER LEFT	底座左盖板	1	400-06478
8		40312061	BED COVER RIGHT	底座右盖板	1	400-06488
9		403S11011	SCREW M4 L=6	盖板螺钉	5	SM-6040650-TP
10		40301028	FACE COVER	面板	1	400-06481
11		30337001	FACE PLATE	商标	1	229-02506
12		403S11012	SCREW	螺钉	2	SM-4041055-SP
13		40312062	CRANK-ROD-COVER	挡油板	1	400-10405
14		403S11013	SCREW	螺钉	4	SM-5040855-SN
15		4031213500	CYLINDER ARM CAP	梭床罩组件	1	138-16855
16		40326035	HOOK COVER PRESSER SPRING PIN	梭床罩销	1	135-08700
17		40312138	HOOK COVER PRESSER SPRING A	梭床罩固定板	1	135-08809
18		40127014	HOOK COVER PRESSER SPRING B	梭床罩弹簧板	1	135-08908
19		403S11013	SCREW	螺钉	1	SM-5040855-SN
20		403S11015	SCREW M4 L=11	绕线器安装螺钉	3	SM-6041150-TP
21		40326001	HINGE STUD	支承销	2	B2707-761-000
22		403S11016	SCREW M6 L=6	支承销固定螺钉	4	SM-8060612-TP
23		1141300200	BOBBIN THREAD TENSION ASM	绕线架线圈组件	1	141-13468
24		1143100300	BOBBIN THREAD TENSION ROD ASM	过线销	(1)	141-13450
25		11413003	THREAD TENSION DISK	夹线片	(2)	B3126-012-000
26		11427006	CONNECTING ROD SPRING	夹线簧	(1)	D7133-555-B00
27		11411004	THREAD TENSION NUT	夹线螺母	(1)	110-72402
28		114S16001	NUT 11/64-40	固定螺母	(1)	NS-6110310-SP
29		40112002	BALANCE COVER	防护罩	1	138-16608
30		403S11017	SCREW M3 L=8	防护罩螺钉	2	SM-4030855-SN
31		40313003	THREAD GUIDE NO.1	过线板	1	400-10414
32		403S11009	SCREW M6 L=12	过线板螺钉	1	SM-4061255-SP
33		40113004	THREAD GUIDE PLATE	双眼过线板	1	B1111-232-000
34		403S11009	SCREW M6 L=12	过线板螺钉	1	SM-4061255-SP
35		40313004	L-SHAPED-THREAD-GUIDE-A	过线钩	1	400-10571
36		403S16004	NUT M4	过线钩螺母	1	NM-6040000-SN
37		40213010	ARM THERAD GUIDE A	右线钩	1	299-20508
38		403S11011	SCREW M4 L=6	右线钩螺钉	1	SM-6040650-TP
39		40313006	TAKE-UP THERAD GUIDE B	左线钩	1	137-05108
40		403S11019	SCREW M4 L=8	左线钩螺钉	1	SM-6040860-TP
41		40313007	FRAME THERAD GUIDE (B)	下过线板	1	B1129-210-000
42		403S11019	SCREW M4 L=8	下过线板螺钉	1	SM-6040860-TP
43		-----	CAUTION LABEL (25)	警告标志	1	CM-3002000-02
44		403S11020	SCREW M3X6	螺钉	1	SM-4030601-SN
45		-----	SAFETY LAEBL-S	警告标志	1	CM-3002001-B1
46		11419001	THREAD CUTTER	切线刀	1	105-02300
47		-----	GROUND MARK	接地标志	1	100-04109
48		40122006	RUBBER PLUG	硅油过线器油塞	2	TA-0750704-R0
49		40322019	RUBBER PLUG	油塞	2	TA-0850604-R0
50		40122016	RUBBER PLUG	油塞	8	TA-1050504-R0
51		40122017	RUBBER PLUG D=12.4 L=4	面板塞	1	TA-1250406-R0
52		40322020	RUBBER PLUG	油塞	1	TA-1270502-R0
53		40122007	RUBBER PLUG	油塞	1	TA-1470704-R0
54		40322021	PLUG	油塞	2	TA-1550902-R0
55		40122015	RUBBER PLUG	油塞	3	TA-2100904-R0
56		4033100800	BOBBIN WINDER UNIT	绕线器组件	1	262-60000
57		40329005	RETAINING RING	卡簧	(1)	RC-0560711-KP
58		40329006	E-RING 4	卡簧	(1)	RE-0400000-KO
59		40308012	BTW BEARING SPACER	挡圈	(1)	262-60802
60		40327021	BOBBIN SPRING	梭芯弹簧	(1)	262-61602
61		40327022	BTW SPRING	弹簧	(1)	262-61701
62		40301026	BTW BASE	盖板	(1)	262-60109
63		40312125	BTW CAM PLATE	控制板	(1)	262-60208
64		40302012	BTW SHAFT	梭芯轴	(1)	262-60901
65		40302013	BTW LEVER SHAFT	转动轴	(1)	262-61008
66		40312126	BTW LEVER	绕线板手	(1)	262-61107
67		403S11052	SCREW	螺钉	(1)	SM-5040655-SN
68		40328038	WASHER 4.5X10X0.8	垫片	(1)	WP-0450826-SC
69		40302014	BTW BASE SHAFT	绕线定位轴	(1)	262-60307
70		40324015	BTW BEARING	轴承	(2)	262-61305
71		40304013	BTW SHAFT BASE	绕线转动曲柄	(1)	262-60406
72		40311021	BTW SPACER	梭芯轴垫	(1)	262-61206
73		40310008	BTW CAM LEVER	转动卡头	(1)	262-60505
74		403S14022	SCREW M5 L=5	螺钉	(1)	SM-8050502-TP
75		40303026	BTW WHEEL	绕线转动板	(1)	262-60604
76		403S14023	SCREW M4X8	绕线转动板螺钉	(2)	SM-8040802-TP
77		40327023	BTW TORSION SPRING	弹簧	(1)	262-60703
78		40322030	BTW WHEEL RUBBER	O形圈	(1)	262-61503
79		40312147	CRANK ROD UNDER COVER	下挡油板	1	400-11928
80		403S11013	SCREW	螺钉	3	SM-5040855-SN
81		40322014	NEEDLE BAR UPPRER BUSH CAP	针杆油塞	1	229-01409
82		40323010	LOWER_SHAFT_GEAR_FELT	下挡油板毛毡	1	-----
83		40330025	LED	LED灯	1	-----



## 2. MAIN SHAFT & NEEDLE BAR COMPONENTS

上轴针杆部件



产  
St:

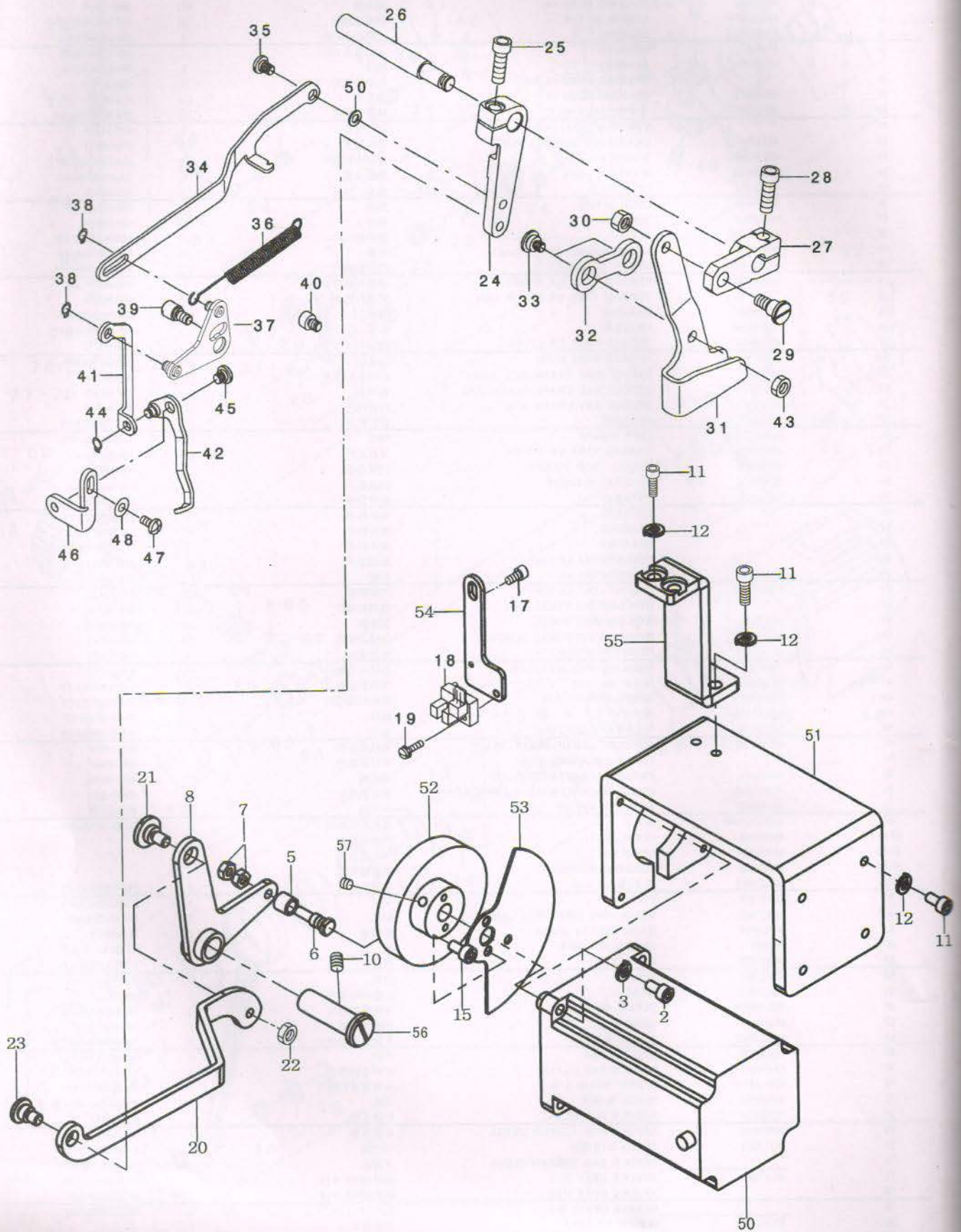


序号	注解	公司件号	DESCRIPTION	名称	用量	同类编号
1		40302007	MAIN SHAFT	上轴	1	400-10572
2		-----	BEARING BUSH -A-ASM	轴承套组件	2	400-10415
3		40303012	BEARING BUSH -A	轴承套	(2)	400-10416
4		403S14005	SCREW M6 L=8	轴承套螺钉	(4)	SM-8060812-TP
5		B10002	BEARING	上轴轴承(前)	1	SB-1200018-00
6		B10002	BEARING	上轴轴承(后)	1	SB-1200018-00
7		40324004	BEARING	轴承	1	SB-1200017-00
8		-----	BEARING BUSH -B-ASM	轴承套组件	1	400-10418
9		40303013	BEARING BUSH -B	轴承套	(1)	400-10419
10		403S14005	SCREW M6 L=8	轴承套螺钉	(2)	SM-8060812-TP
11		-----	CRANK-ROD-ALL-ASM	连杆组件	1	400-31136
12		40312064	CRANK-ROD-SUPPORT-PLATE	连杆挡板	(1)	400-10421
13		403S17001	SCREW M3 L=6	连杆挡板螺钉	(3)	SM-1030601-SP
14		40322023	PLUG D=6.7 L=6	挡板油塞	(2)	TA-0670604-R0
15		40322024	OIL SEAL	油塞	(2)	101-08009
16		40325009	OSCILLATOR	摆齿	(1)	400-06561
17		40312065	WASHER	垫片	(1)	400-26818
18		403S14006	SCREW	摆齿螺钉	(2)	SM-8480652-TP
19		40329003	E-SHAPEDSNAP RING (8mm)	卡簧	(1)	RE-0800000-K0
20		403S11021	SCREW M6 L=4.5	摆齿轴螺钉	(1)	SM-6060550-TP
21		4033800200	THREAD TAKE UP COMPL	挑线连杆组件	1	400-06529
22		-----	THREAD TAKE UP LEVER ASM	挑线杆组件	(1)	400-06530
23		40324005	BEARING	轴承	(2)	SB-1080022-00
24		40324006	BEARING	轴承	(1)	SB-1040016-00
25		40338003	THREAD TAKE UP LEVER	挑线杆	(1)	400-06531
26		40313008	THREAD PASS BUSH	过线管	(1)	B1908-505-000
27		-----	NEEDLE BAR CRANK ROD ASM	针杆连杆组件	(1)	400-06534
28		40303014	NEEDLE BAR CRANK ROD METAL	连杆套	(1)	228-91006
29		40305011	NEEDLE BAR CRANK ROD	针杆连杆	(1)	400-06535
30		40324007	BEARING	连杆轴承	(1)	SB-1080023-00
31		403S30011	LEFT SCREW	螺钉	(1)	B1903-552-000
32		40305012	THREAD TAKE UP CRANK	驼背连杆	(1)	400-06532
33		40304008	NEEDLE ROD CRANK	挑线曲柄	(1)	400-06537
34		40322025	BEARING SUPPORT	封油垫片	2	228-91204
35		40324008	BEARING	滚针轴承	2	SB-3070002-0A
36		-----	BEARING	滚针轴承	2	SB-3070002-0B
37		-----	BEARING	滚针轴承	2	SB-3070002-0C
38		-----	BEARING	滚针轴承	2	SB-3070002-0D
39		-----	THRUST-COLLAR-ASM	挡圈组件	1	400-10434
40		40308007	THRUST-COLLAR	挡圈	(1)	400-10435
41		403S14007	THRUST-COLLAR-SCREW	挡圈螺钉	(2)	400-10436
42		-----	BTW-DRIVING-WHEEL-ASM	绕线轮组件	1	400-10533
43		40335002	BTW-DRIVING-WHEEL	绕线轮	(1)	400-10534
44		403S14008	BTW-DRIVING-WHEEL SCREW	绕线轮螺钉	(2)	400-10533
45		40310005	COUNTER WEIGHT	针杆曲柄	1	400-10423
46		403S13007	COUNTER WEIGHT SCREW A	曲柄定位螺钉	1	400-06517
47		403S13008	BOLT M8 L=12	曲柄固定螺钉	1	SM-6081252-TP
48		403S14006	SCREW M6X0.75 L=6	挑线曲柄螺钉	1	SM-8480652-TP
49		403S11022	SCREW	螺钉	1	SM-6061200-SP
50		40328018	WASHER 11.6X8.2X0.6	垫片	1	WP-0820516-SP
51		40326034	THREAD-TAKE-UP-CRANK-SHAFT	挑线连杆销	1	400-11902
52		-----	CRANK-BALANCER-ASM	平行块组件	1	400-10437
53		40312066	CRANK-BALANCER-FIX-PLATE	固定板	(1)	400-10439
54		403S11023	CRANK-BALANCER-FIX-PLATE-SCREW	平行块螺钉	(2)	400-10440
55		40312067	AC SERVO MOTOR	平行块	(1)	400-10438
56		403S1300900	BOLT	电机安装螺钉	4	SL-6052592-TN
57-01		40301023	COUPLING 1	传动连接块	1	-----
57-02		40301024	COUPLING 2	传动连接块	1	-----
57-03		40322028	DAMPING RUBBER	减震橡胶	1	-----
58		403S14005	SCREW M6 L=8	连接块螺钉	4	SM-8060812-TP
59		40311003	PULLEY	手轮	1	B1212-210-D00
60		40337005	REVOLVING DIRECTION LABEL	标记	1	B1144-210-000
61		40326004	HAND PULLEY SHAFT	手轮轴	1	265-00306
62		P03002	SPRING PIN 4X14	销	1	PS-0400142-KH
63		403S11003	SET-SCREW	螺钉	1	A1230-500-00A
64		40327004	SPRING	弹簧	1	GAF-01007000
65		40325010	GEAR A	上轴转动齿轮	1	400-06515
66		403S14010	SCREW M4 L=3	手轮齿轮螺钉	2	SM-8040310-SS
67		40325011	GEAR B	手轮轴齿轮	1	400-06516
68		403S14010	SCREW M4 L=3	手轮轴齿轮螺钉	2	SM-8040310-SS
69		40302006	NEEDLE BAR	针杆	1	400-10573
70		40104002	NEEDLE BAR CLAMP	针杆连接柱	1	B1411-552-000
71		401S11014	SCREW 9/64-40 L=6	针杆连接柱螺钉	1	SS-6090670-TP
72		40309002	SLIDE BLOCK	滑块	1	B1414-555-000
73		40303015	NEEDLE ROD METAL	针杆上套	1	400-10441
74		40303016	NEEDLE ROD LOWER METAL	针杆下套	1	400-10442
75		40313009	THREAD GUIDE	下过线	1	400-10574
76		-----	NEEDLE BAR THREAD GUIDE	下过线	1	D0405-L7A-3000
77		40117001	NEEDLE DPX5 #11	机针DP#5 #11	1	MDP-500B1100
78		-----	NEEDLE DPX5 #14	机针DP#5 #14	1	MDP-500B1400
79		-----	NEEDLE DPX17 #21	机针DP#17 #21	1	MDP-500B2100
80		301S11014	SCREW M3 L=4.5	支针螺钉	1	-----
81		403S14006	SCREW M6X0.75 L=6	摆齿螺钉	3	SM-8480652-TP
82		403S14005	SCREW M6 L=8	偏心轮螺钉	2	SM-8060812-TP
83		40333004	AC SERVO MOTOR	上轴电机	1	400-28015
84		403S13010	SCREW M6 L=12	螺钉	2	SM-6061250-TP



### 3. PRESSER LIFTER & WIPER COMPONENTS

抬压脚及拔线部件

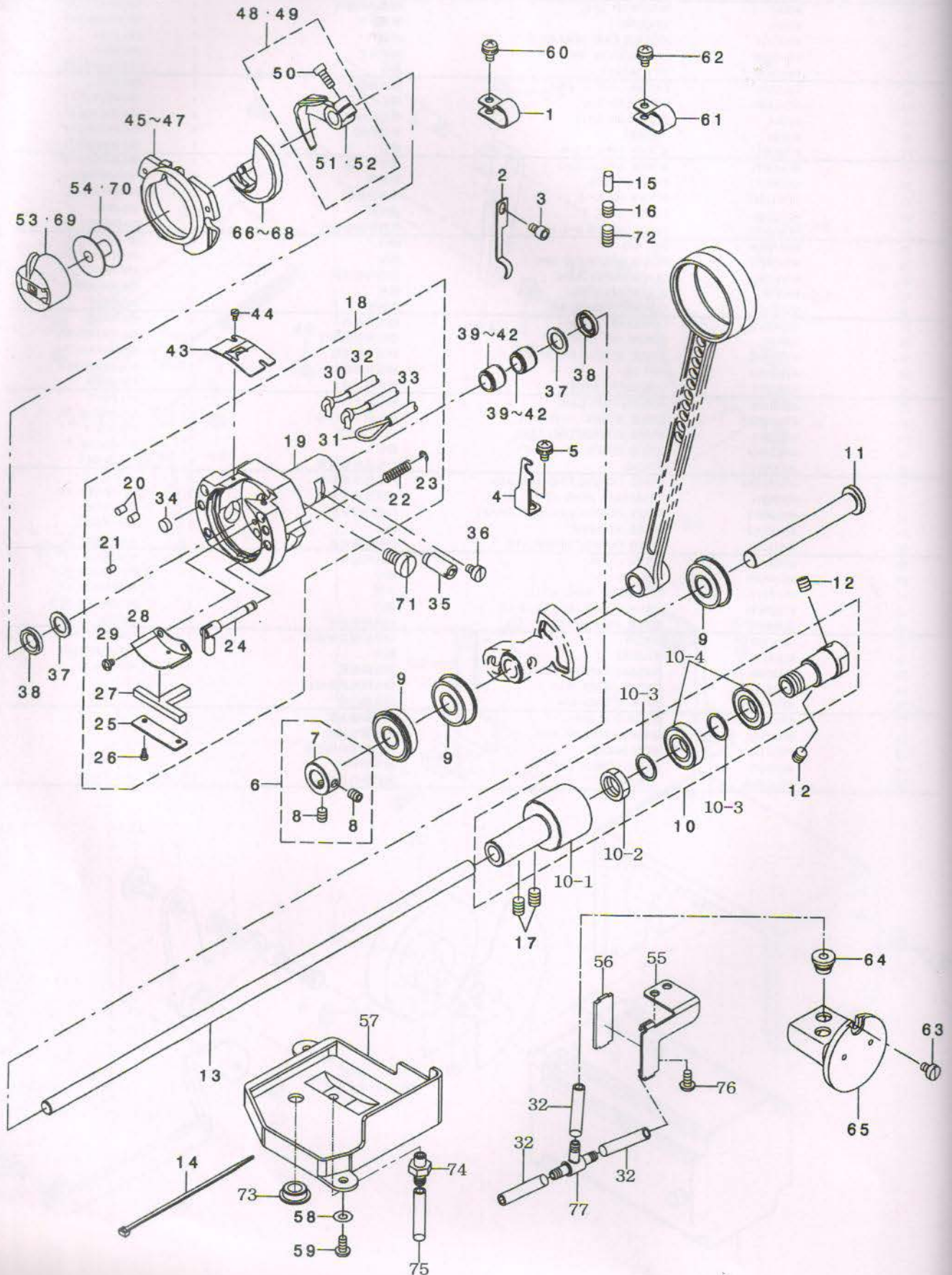


序号	注解	公司件号	DESCRIPTION	名称	用量	同类编号
2		w05049	SCREW M4 L=14	抬压电机螺钉	4	SM-4041455-SP
3		w02008	BEARING	弹簧垫片	4	WP-0450800-SP
5		40303017	NEEDLE CAM ROLLER A	滚筒	1	235-17500
6		40320009	CAM ROLLER SHAFT	轴位螺钉	1	400-40256
7		40316005	NUT M4X0.7	螺母	2	NM-6040001-SP
8		40312140	LIFTER LINK A ASM.	拨线曲柄	1	400-06661
10		40314005	SCREW M6 L=8	螺钉	1	SM-8060812-TP
11		w05004	SCREW M5 L=14	螺钉M5x14	6	SM-4041455-SP
12		w02001	WASHER	弹簧垫片	6	WP-0450801-SP
15		40313011	SCREW M4x0.7 L=8	螺钉	2	SM-6040802-TP
17		40313011	SCREW M4X0.7 L=8	螺钉	1	SM-6040802-TP
18		40330005	PHOTO SENSOR	传感器	1	HD-0005700-0A
19		207S11017	SCREW M3 L=12	传感器螺钉	1	SL-4031291-SC
20		40312145	LIFTER LINK B	拨线杆	1	400-06665
21		40320010	HINGE SCREW D=8 H=3.2	拨线杆轴位螺钉	1	SD-0800327-TP
22		40316006	NUT M5	螺母	1	NM-6050001-SP
23		40320011	HINGE SCREW D=7 H=4	螺钉	1	SD-0700406-TP
24		40305013	CONNECTING ARM	拨线转动曲柄	1	400-06671
25		S05030	SCREW M6 L=18	螺钉	1	SM-6061802-TP
26		40326017	CONNECTING SHAFT	曲柄轴	1	265-00405
27		40305014	LOWERING ARM	抬压脚曲柄	1	400-08693
28		S05030	SCREW M6 L=18	抬压脚曲柄螺钉	1	SM-6061802-TP
29		40320012	HINGE SCREW D=7.94 H=6	抬压曲柄螺钉	1	SD-0790606-TP
30		40316007	NUT M6	抬压曲柄螺母	1	NM-6060001-CP
31		40312073	LOWERING FOOT	抬压脚传动杆	1	400-06672
32		40312008	CONNECTING LINK	抬压脚小连杆	1	141-04400
33		40320013	HINGE SCREW D=10 H=4	抬压脚小连杆螺钉	2	SD-1000406-TP
34		40312074	WIPER CONNECTING LINK	扫线调节杆	1	400-06674
35		40320014	HINGE SCREW D=6 H=2	螺钉	1	SD-0600206-TP
36		40127011	SPRING	扫线连接板拉簧	1	135-09708
37		4031213700	WIPER CONNECTING-ARM-ASM	扫线连接板组件	1	-----
38		40108011	RETAINING RING 4.7	扫线连接板卡簧	2	RC-0470611-KP
39		40320021	WIPER CONNECTING-LINK-SHAFT	扫线连接板销	1	400-10455
40		40313012	WIPER-STOPPER	螺钉	1	400-10457
41		40312076	WIPER CONNECTING-PLATE	扫线连接拉板	1	400-10458
42		4031207700	WIPER C ASM	扫线杆组件	1	400-17202
43		40316008	NUT M6	螺母	1	NM-6060003-SC
44		40108011	RETAINING RING 4.7	卡簧	1	RC-0470611-KP
45		40320016	HINGE SCREW D=6.35 H=2.1	螺钉	1	SD-0640216-TP
46		40312078	WIPER-BASE PLATE	扫线杆固定架	1	400-06678
47		40311027	SCREW	扫线杆固定架螺钉	1	SM-4040855-SP
48		40328019	WASHER	垫片	1	WP-0450801-SP
50		40333009	PRESSER LIFTING MOTOR	抬压脚电机	1	400-29903
51		40312141	ASSY PBL MOTOR BASE	抬压脚电机安装板	1	-----
52		40310010	THREAD TRIMMER CAM	抬压脚凸轮	1	-----
53		40312143	SENSOR SLIT ASM	抬压脚感光板	1	-----
54		40312144	SENSOR_INSTALLING_BASE	感应器安装板	1	-----
55		40312142	MOTOR BRACKET	抬压脚电机固定板	1	-----
56		40326037	THREAD TRIMMER SHAFT	抬压曲柄销	1	-----
57		40314008	SCREW	抬压脚凸轮螺钉	(2)	400-10533



# 4. SHUTTLE DRIVER SHAFT COMPONENTS

下轴部件



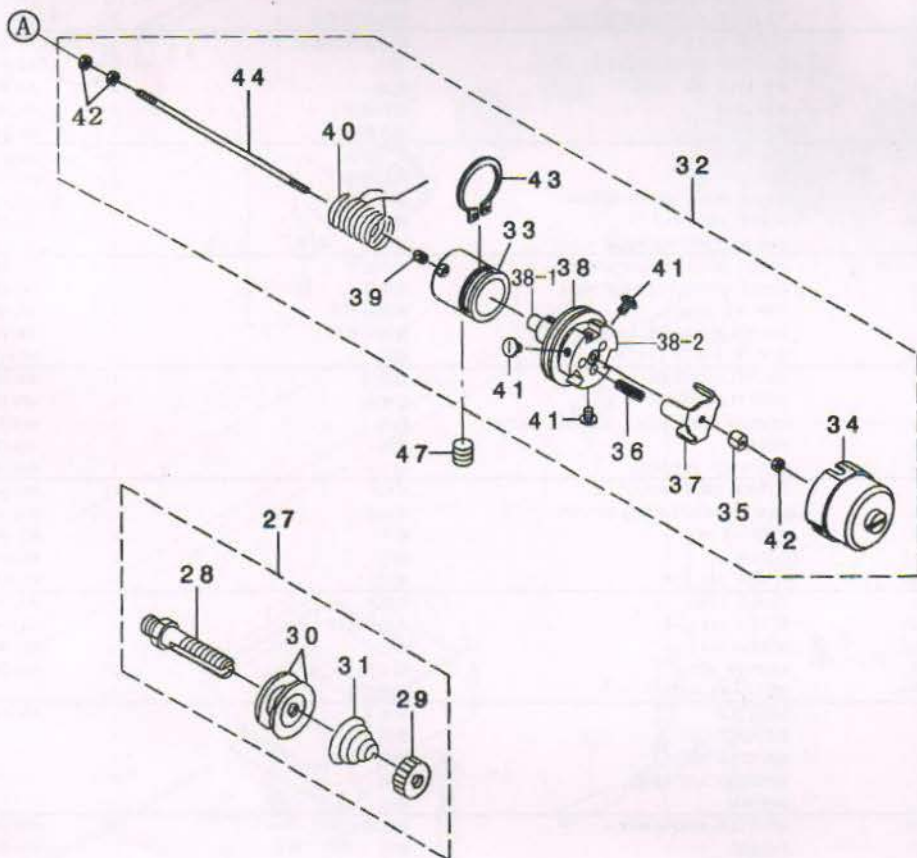
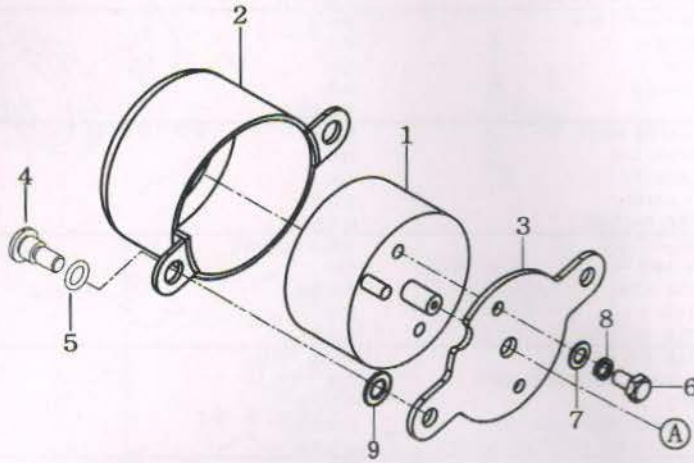


序号	注解	公司件号	DESCRIPTION	名称	用量	同类编号
1		40311015	CABLE CLIP	油管夹	1	HX-0015000-0D
2		40312079	OIL-PIPE-HOLDER	油管压板	1	400-12127
3		403s13013	SCREW M4 L=6	油管压板螺钉	1	SM-6040602-TP
4		40312080	TUBE-CLAMP	油管夹板	1	400-13721
5		403s11028	SCREW M4 L=8	螺钉	1	SL-4040891-SC
6			THRUST-COLLAR-ASM.	挡圈组件	1	400-10464
7		40308008	THRUST-COLLAR	挡圈	(1)	400-10467
8		403s14013	THRUST-COLLAR-SCREW	螺钉	(2)	400-10469
9		40324009	BEARING	轴承	3	SB-1100024-00
10		4030302000	LOWER-SHAFT-GEAR-ASM.	轴承套组件	1	400-16077
10-01		40303021	LOWER-SHAFT-GEAR	轴承套	1	-----
10-02		403S16011	NUT M12X1	螺母	1	-----
10-03		40328024	WASHER	垫圈	2	-----
10-04		11424001	BEARING	轴承	2	-----
10-05		40325015	GEAR	下轴齿轮	1	-----
11		40326018	OSCILLATOR SHAFT	摆齿轴	1	400-06563
12		403S11016	SCREW M6 L=6	螺钉	2	SM-8060612-TP
13		40302009	LOWER SHAFT	下轴	1	400-10575
14		40111005	CABLE BAND	紧线带	2	EA-9500B01-00
15		40322026	OIL WICK PRESSER	橡皮塞	1	400-06578
16		403s14014	SCREW	油量调节压块螺钉	1	SM-8060610-TP
17		403s14005	SCREW M6 L=8	螺钉	2	SM-8060812-TP
18		4031800700	SHUTTLE ASM.	梭床组件	1	400-06573
19		40318010	SHUTTLE	梭床	(1)	400-06574
20			SHUTTLE OIL FELT A	油棉塞	(2)	B1820-210-D00
21			SHUTTLE OIL FELT A	橡皮塞	(1)	B1821-210-D00
22		40327007	INNER HOOK PRESSER SPRING	弹簧	(2)	B1822-215-P00
23		40129001	E-RING 3	卡簧	(2)	RE-0300000-K0
24		40326008	INNER HOOK PRESSER SPRING	梭床盖压柱	(2)	265-01858
25		40312021	ONCE THROUGH OIL FELT PRESSER	油毡压板	(1)	141-04004
26		403S11029	SCREW M2 L=3.5	螺钉	(2)	SM-6020460-TP
27		40323002	SHUTTLE ONCE THROUGH OIL FELT	梭床油毡	(1)	141-03907
28		40312120	SHUTTLE LUBRICATING PLATE	梭床润滑油板	(1)	400-06577
29		403S11046	SCREW	螺钉	(2)	SM-4030455-SP
30		12923021	OIL WICK	油绳	(2.6)	CQ-2000000-00
31		12923021	OIL WICK	油绳	(1.4)	CQ-2000000-00
32		40321001	TUBE	油管	(1)	236-30007
33			TUBE	油管	(0.6)	236-30007
34		40322029	SHUTTLE PACKING	油棉塞	(2)	135-29607
35		40326019	SHUTTLE -PACE-ADJUSTING	梭床座调节销	1	400-10471
36		403S11011	SCREW M4 L=6	梭床座紧固螺钉	1	SM-6040650-TP
37		40328020	SHUTTLE BEARING RING	垫片	2	400-06575
38		40322031	SHUTTLE OIL SEAL	油封	2	400-06576
39		40324010	BEARING	滚针轴承	2	SB-3080010-0A
40			BEARING	滚针轴承	2	SB-3080010-0B
41			BEARING	滚针轴承	2	SB-3080010-0C
42			BEARING	滚针轴承	2	SB-3080010-0D
43		40327014	INNER HOOK UPPER SPRING	梭床分线片	1	B1815-210-000
44		403S11029	SCREW M2 L=3.5	螺钉	2	SM-6020460-TP
45			INNER HOOK PRESSER ASM., A	梭床盖	1	141-03253
46			INNER HOOK PRESSER ASM., B	梭床盖	1	141-03352
47			INNER HOOK PRESSER ASM., C	梭床盖	1	141-03659
48		40318004	DRIVER ASM.	摆梭托组件	1	400-11512
49			SHUTTLE DRIVER ASM.	摆梭托组件	1	400-14963
50		401s13005	SCREW 3/16-28 L=12.0	螺钉	(1)	SS-6121212-TP
51		40118503	SHUTTLE-DRIVER	摆梭托	(1)	400-11511
52			SHUTTLE-DRIVER	摆梭托	(1)	400-10879
53		40118502	BOBBIN CASE ASM. (RACING PREVE)	梭壳	1	B1828-980-0BB
54		40118004	BOBBIN	梭心	1	138-12102
55		40312146	ORL WICK PERSSER	油毡夹	1	400-10473
56		40323081	LOWER SHAFT-GEAR-FELT	油毡	(1)	400-10474
57		40311025	LOWER SHAFT-GEAR-COVER	接油盒	(1)	400-10475
58		40328019	WASHER	垫片	2	WP-0450801-SP
59		403S11013	SCREW	螺钉	2	SM-5040855-SN
60		403S11028	SCREW M4 L=8	螺钉	1	SL-4040891-SC
61		40311016	CABLE CLIP	电线夹	2	HX-0015000-0B
62		403S11028	SCREW M4 L=8	电线夹螺钉	2	SL-4040891-SC
63		403S11011	SCREW M4 L=6	螺钉	1	SM-6040650-TP
64		40322027	RUBBER BUSH	橡皮塞	2	400-06840
65		4031101700	OIL TANK ASM.	油窗组件	1	-----
66		40118501	SHUTTLE	梭托	1	400-06580
67			SHUTTLE (H)	梭托	1	-----
68			SHUTTLE (H)	梭托	1	-----
69			BOBBIN CASE ASM.	梭壳	1	-----
70			BOBBIN	梭心	1	-----
71		403s11030	SHUTTLE-ASM-SCRERW	梭床固定螺钉	1	400-10470
72		403s14021	SVREW	螺钉	1	SM-8061050-TP
73		40322019	RUBBER PLUG	油塞	1	-----
74		12936003	TERMINAL	油管嘴	1	-----
75		12921005	TUBE	油管	0.3	-----
76		403S11027	SCREW M4 L=12	拉簧板螺钉	2	-----
77		41736001	TERMINAL L	管接头L	1	-----



# 5. THREAD TENSION COMPONENTS

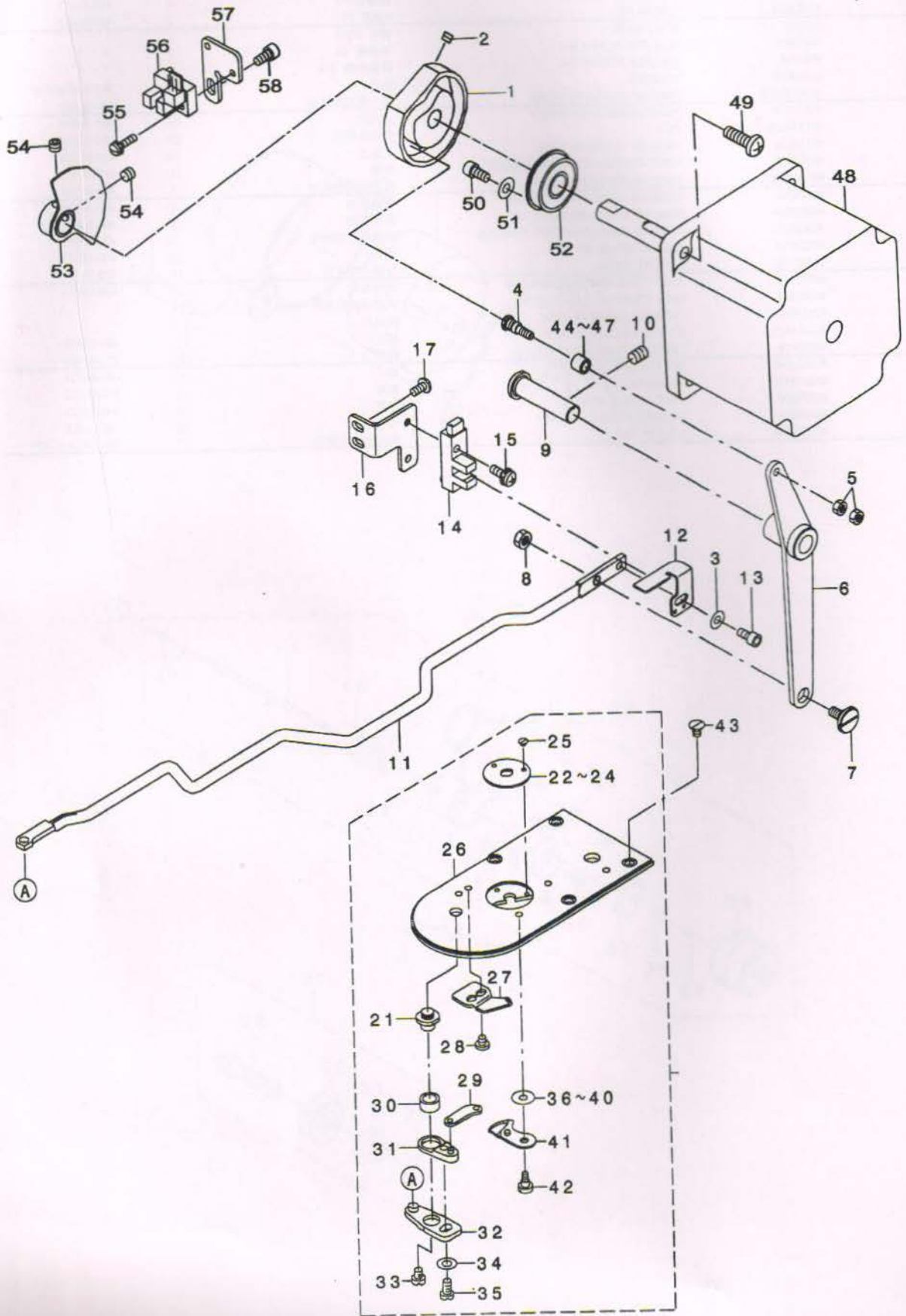
紧线部件



序号	注解	公司件号	DESCRIPTION	名称	用量	同类编号
1		40330023	TENSION RELEASE SOLENOID HV	松线电磁铁	1	
2		40311026	SOLENOID COVER	松线电磁铁外罩	1	SM-8040802-TP
3		41712099	SETTING PLATE SOLENOID	电磁铁安装板	1	RE-8900006-K3
4		417s30012	SHOULDE SCREW 7-3	段螺钉7-3	2	400-06625
5		41722021	O RING P7	O型圈 P7	2	400-06617
6		L02031	BOLT M4X8	螺栓 M4X8	2	
7		W01001	WASHER PLANT M4	平垫圈 M4	2	
8		W02008	WASHER SPRING 2-4	弹簧垫圈 2-4	2	
9		40328019	WASHER	垫片	2	WP-0450801-SP
27		4013100400	THREAD-TENSION-1-ASM.	第一夹线器组件	1	400-10503
28		40126010	THREAD-TENSION-SHAFT	夹线柱	(1)	400-10504
29		401S16010	NUT	夹线器螺母	(1)	229-29808
30		40112026	THREAD TENSION DISK	夹线片	(2)	229-21506
31		40127009	FIRST-THREAD-TENSION-SPRING	弹簧	(1)	262-18602
32		4033100700	THREAD-TENSION-2-ASM.	电子夹线器组件	1	400-10508
33		40303025	THREAD-TENSION-POST-BASE	夹线器座	(1)	400-10510
34		40303024	DISK-STOPPER-HOLDER-CAP	夹线器帽	(1)	400-10511
35		403s16013	THREAD-TENSION-SHAFT-COLLAR	松线钉紧固螺母	(1)	400-10512
36		40327018	DISK-STOPPER-SP	弹簧	(3)	400-10513
37		40312123	DISK-STOPPER	松线止动卡盘	(1)	400-10514
38-1		40302011	ASSY-THERAD-TENSION-POST	夹线器轴	(1)	400-10515
38-2		40308011	DISK-STOPPER	夹线器盖固定座	1	
38		40313011	THREAD TENSION DISK	夹线片	2	
39		403s14015	AT-SOL-COLLAR-SCREW	螺钉	(1)	400-10478
40		40327019	THREAD TAKE-UP SPRING	弹簧	(1)	229-21605
41		403S11048	HOLD-CAP-SCREW	螺钉	(3)	400-10521
42		403s16012	SHAFT-NUT	螺母	3	400-10522
43		40329004	POST-BASE-C-RING	卡簧	(1)	400-10523
44		40326036	THREAD-TENSION-SHAFT	松线轴	(1)	400-10509
47		403S14016	SCREW M6X16	夹线器固定螺钉	1	SM-8061612-TP



6. THREAD TRIMMER MECHANISM COMPONENTS  
剪线部件

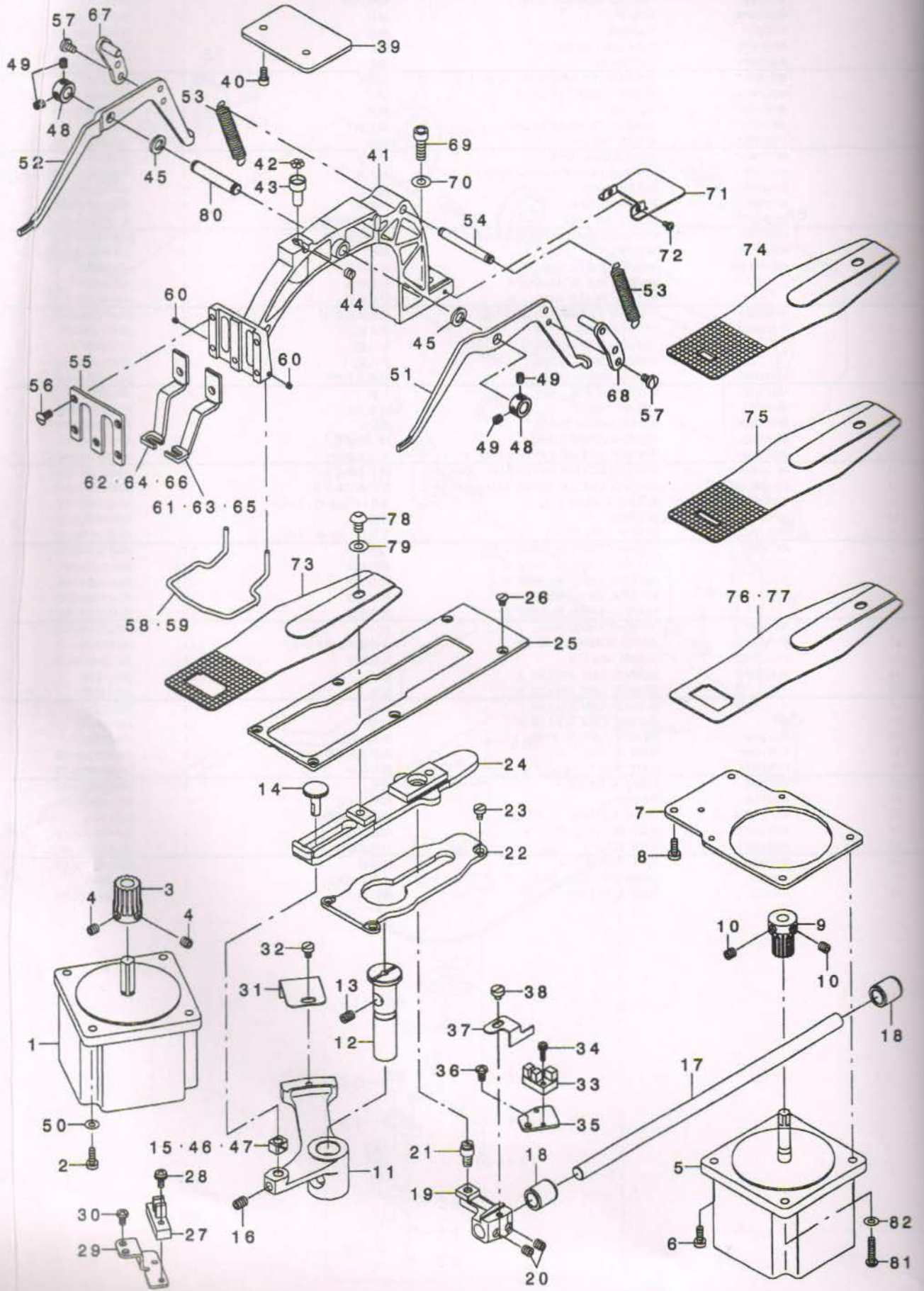


序号	注解	公司件号	DESCRIPTION	名称	用量	同类编号
1		40310009	THREAD TRIMMER CAM	剪线凸轮	1	400-06711
2		403S17008	SCREW	螺钉	2	SM-805085Q-TP
3		40328019	WASHER	垫片	1	WP-0450801-SP
4		403s20009	CAM ROLLER SHAFT	螺钉	1	400-40256
5		403s16005	NUT M4X0.7	螺母	2	NM-6040001-SP
6		40312101	THREAD TRIMMER LINK ASM.	连接板	1	400-06712
7		403s20010	HINGE SCREW D=8 H=3.2	螺钉	1	SD-080327-TP
8		403s16006	NUT M5	螺母	1	NM-6050001-SP
9		40326016	THREAD TRIMMER SHAFT	固定销	1	400-06716
10		403s14005	SCREW M6 L=8	螺钉	1	SM-8060812-TP
11		40312089	CONNECTING BAR	连接轴	1	400-06717
12		40312090	THREAD-TRIMMER-SENSOR-SLIT	感光片	1	400-10525
13		403s13011	SCREW M4X0.7 L=8	螺钉	1	SM-6040802-TP
14		40330022	PHOTO SENSOR	传感器	1	HD-0022300-00
15		S01003	SCREW M4 L=12	传感器固定螺钉	1	SL-4041291-SC
16		40312091	THREAD-TRIMMER-SENSOR-BASE	传感器固定板	1	400-10526
17		403s11027	SCREW	螺钉	2	SM-4040855-SP
18		4031501400	NEEDLE PLATE ASM. , A	针板组件	1	400-06722
19		-----	NEEDLE PLATE ASM. , H	针板组件	1	400-06723
20		-----	NEEDLE PLATE ASM. , E	针板组件	1	400-06724
21		403S30004	THREAD CUTTER LEVER SHAFT	切线插杆螺栓	(1)	B2417-280-000
22		40115002	NEEDLE HOLE GUIDE	针孔板	(1)	B2426-280-000
23		-----	NEEDLE HOLE GUIDE	针孔板	(1)	141-09607
24		-----	NEEDLE HOLE GUIDE	针孔板	(1)	B2426-282-C00
25		401S17006	SCREW 3/32-56 L=2.2	开槽沉头螺钉	(2)	SS-1060210-TP
26		40315013	NEEDLE PLATE	针板	(1)	400-06721
27		40119002	FIXING KNIFE	固定刀片	(1)	B2424-280-000
28		401S11020	SCREW 9/64-40 L=3.5	螺钉	(2)	SS-7090410-SP
29		40105003	MOVING KNIFE LINK	转刀连接杆	(1)	B2418-280-000
30		40103009	THREAD CUTTER LEVER RING	转刀连接环	(1)	B2416-280-000
31		4011202000	THREAD CUTTER LEVER ASM. ,SMALL	转刀驱动杆组件	(1)	B2415-280-0A0
32		4011202200	THREAD CUTTER LEVER ASM. ,LARGE	转刀驱动架组件	(1)	B2414-280-0A0
33		401S20008	SCREW 11/64-40 L=4.0	螺钉11" /64-40、L=4.0	(1)	SS-6110430-TP
34		40128008	WASHER	垫圈	(1)	WP-0450846-SP
35		401S11021	SCREW 11/64-40 L=7	螺钉11" /64-40、L=7	(1)	SS-7110740-TP
36		40128009	MOVING KNIFE WASHER C	转刀垫圈	(1)	B2423-280-00C
37		-----	MOVING KNIFE WASHER A	转刀垫圈	(1)	B2423-280-00A
38		-----	MOVING KNIFE WASHER B	转刀垫圈	(1)	B2423-280-00B
39		-----	MOVING KNIFE WASHER D	转刀垫圈	(1)	B2423-280-00D
40		-----	MOVING KNIFE WASHER E	转刀垫圈	(1)	B2423-280-00E
41		40119001	MOVING KNIFE ASM.	转刀	(1)	B2421-280-0A0
42		401S20007	HINGE SCREW D=5 H=0.9	合叶螺丝D=5.0 H=0.9	(1)	SD-0500091-TP
43		403S17002	SCREW M4 L=6	针板螺钉	4	SM-1040650-TP
44		40303019	NEEDLE CAM ROLLER A	滚珠	1	263-15606
45		-----	NEEDLE CAM ROLLER B	滚珠	1	263-15705
46		-----	NEEDLE CAM ROLLER C	滚珠	1	263-15804
47		-----	NEEDLE CAM ROLLER D	滚珠	1	263-15903
48		40333005	PRESSER LIFTING MOTOR	剪线电机	1	400-29903
49		403S11026	SCREW M5 L=16	剪线电机螺钉M5x16	4	SM-4051654-SP
50		403S13011	SCREW M4X0.7 L=8	螺钉M4x8	1	SM-6040802-TP
51		40328019	WASHER 4.8X8.4X0.8	垫片	1	WP-0450801-SP
52		40327009	BEARING	轴承	1	SB-1100024-00
53		4031211800	SENSOR SLIT ASM	拨线传感器组件	1	400-06666
54		403S14012	SCREW M5 L=4	螺钉M5x4	2	SM-8050402-TP
55		207S11017	SCREW M3X12	传感器螺钉	1	SL-4031291-SC
56		40330005	PHOTO SENSOR	传感器	1	HD-0005700-0A
57		40312071	SENSOR_INSTALLING_BASE	传感器安装板	1	400-10443
58		403S13011	SCREW M4X0.7 L=8	螺钉M4x8	1	SM-6040802-TP



# 7. FEED MECHANISM COMPONENTS

送料部件

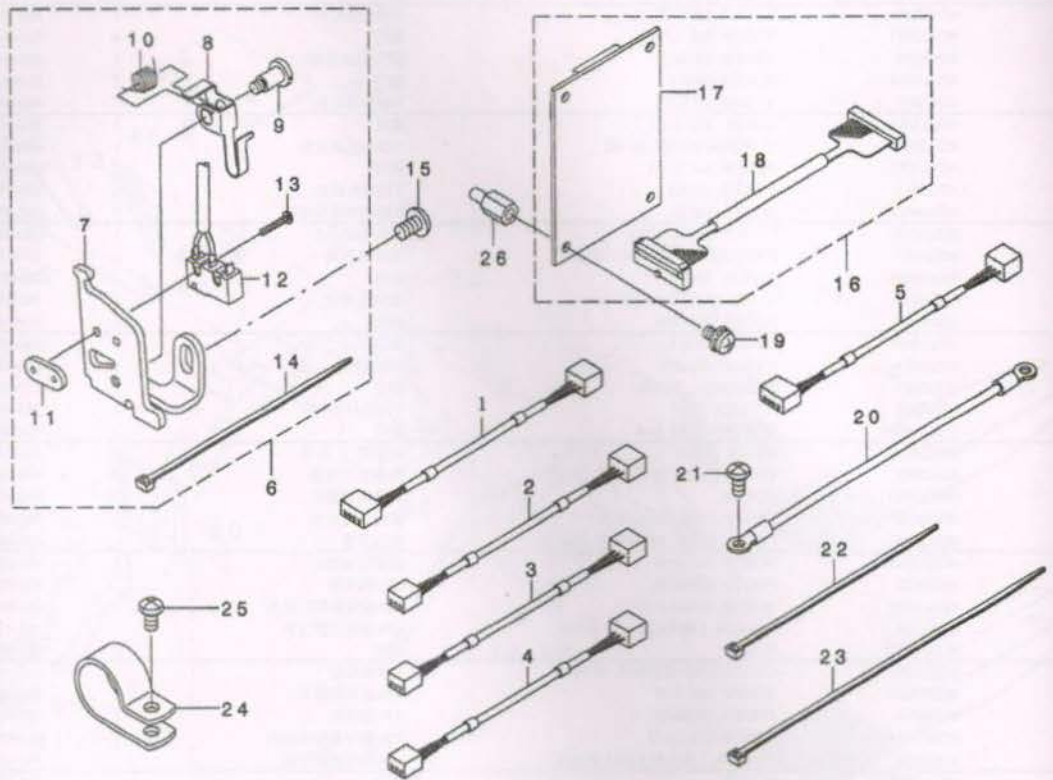




序号	注解	公司件号	DESCRIPTION	名称	用量	同类编号
1		40333006	X FEED MOTOR	X轴步进电机	1	400-29901
2		403s13015	SCREW M4 L=16	螺钉	4	SM-4041655-SP
3		40325012	X FEED GEAR	横向供给齿轮	1	265-01403
4		403s14018	SCREW M6X6	螺钉	2	SM-8060602-TP
5		40333007	Y FEED MOTOR	Y轴步进电机	1	400-29902
6		403s11015	SCREW M4 L=11	螺钉	2	SM-6041150-TP
7		40312092	Y-FEED-MOTOR-BASE	Y轴电机固定板	1	400-10536
8		403s11015	SCREW M4 L=11	螺钉	2	SM-6041150-TP
9		40325013	Y FEED GEAR	Y轴送料齿轮	1	265-01502
10		403s14018	SCREW M6X6	Y轴送料齿轮螺钉	2	SM-8060602-TP
11		40325014	CLOTH FEED ARM	横向供给插杆	1	400-06736
12		40326011	FEED DRIVING ARM SHAFT	供给插杆轴	1	135-16208
13		403s14005	SCREW M6X8	螺钉	1	SM-8060812-TP
14		40326020	SLIDE BLOCK STUD	滑块连接销	1	262-23305
15		40309003	SQUARE BLOCK	滑块	1	B1414-232-000
16		403s14005	SCREW M6X8	螺钉	1	SM-8060812-TP
17		40325016	Y FEED SHAFT	Y向送料轴	1	400-06738
18		40303007	BUSHING, REAR	轴套	2	B2509-704-000
19		40304009	Y FEED ARM	Y向送料曲柄	1	265-00009
20		116S14004	SCREW 1/4-40 L=6	螺钉	2	SS-8660612-TP
21		401S20018	HINGE STUD	铰链销	1	135-17404
22		40312093	CLOTH FEED SUPPORT PLAE	供给支架压板	1	400-06740
23		403S11011	SCREW	供给压板螺钉	3	SM-6040650-TP
24		40304010	CLOTH FEED PLATE	横向供给支架	1	400-06737
25		40312094	CLOTH FEED PRESSER PLATE	供给压板	1	400-06739
26		403S17002	SCREW M4 L=6	供给压板螺钉	4	SM-1040650-TP
27		40330022	PHOTO SENSOR	X向感应器	1	HD-0022300-00
28		403s11043	SCREW M4X0.7 L=12	X向感应器螺钉组件	1	SL-4041281-SC
29		40312124	SENSOR INSTALLING BASE	X向感应器固定板	1	141-11702
30		403s11027	SCREW	螺钉	2	SM-4040855-SP
31		40312139	CROSSFEED SENSOR SLIT	X向感光板	1	141-11504
32		403S11011	SCREW M4 L=6	X向感光板螺钉	1	SM-6040650-TP
33		40330010	PHOTO SENSOR	Y向感应器	1	HD-0005700-0A
34		403s11044	SCREW M3 L=12	Y向感应器螺钉组件	1	SL-4031291-SC
35		40312037	SENSOR INSTALLING BASE	Y向感应器固定板	1	141-11801
36		403s11027	SCREW	螺钉	1	SM-4040855-SP
37		40312036	LENGTHWISE FEED SENSOR SLIT	Y向感光板	1	141-36402
38		401S11024	SCREW 11/64-40 L=4.3	螺钉	1	SS-6110480-SP
39		40312095	SUPPORT PLATE	支架板	1	400-39255
40		403s13011	SCREW M4X0.7 L=8	螺钉	2	SM-6040802-TP
41		40301020	FEED BRACKET B	供给架	1	400-39013
42		40109004	WORK CLAMP FOOT MOUNTING BASE	钢珠	5	B2549-280-000
43		40126021	BALL REATINER	钢珠护轴	1	B2548-280-000
44		401S15007	SCREW 15/64-28 L=4.7	螺钉	1	SS-8150510-TP
45		40128012	WASHER FOR DRIVING ARM	垫片	2	B2557-280-00A
46		----	CRANK SLIDE BLOCK	滑块	1	B1414232-00A
47		----	GUIDE ROLLER	滑块	1	B1414232-00B
48		40308010	THRUST COLLAR	挡圈	2	CS-0800881-TP
49		403s14019	SCREW M5 L=5	螺钉	4	SM-8050512-TP
50		40328019	WASHER	垫片	4	WP-0450801-SP
51		40312096	LIFTING LEVER RIGHT	上升杆(右)	1	262-04008
52		40312097	LIFTING LEVER LEFT	上升杆(左)	1	262-04107
53		40127027	CLOTH PRESSER SPRING	拉簧	2	141-05407
54		40126022	SPRING SUSPENSION	拉簧钩轴	1	135-18501
55		40112051	WORK CLAMP FOOT FACE PLATE	压脚固定板	1	135-18808
56		401S17007	SCREW 11/64-40 L=8.7	螺钉	5	SS-2110930-SP
57		401S11021	SCREW 11/64-40 L=7	螺钉	4	SS-7110740-TP
58		40127017	FINGERGUARD	护指簧	1	135-33104
59		----	FINGERGUARD	护指簧	1	135-48300
60		401S15008	SCREW 1/8-44 L=2.8	螺钉1"/8-44、L=2.8	2	SS-8080310-TP
61		40116004	WORK CLAMP FOOT, RIGHT	手工夹脚(右)	1	135-18600
62		40116001	WORK CLAMP FOOT, LEFT	手工夹脚(左)	1	135-18709
63		----	WORK CLAMP FOOT, RIGHT	(右)压脚	1	135-48102
64		----	WORK CLAMP FOOT, LEFT	(左)压脚	1	135-48201
65		----	WORK CLAMP FOOT, RIGHT	(右)压脚	1	135-42915
66		----	WORK CLAMP FOOT, LEFT	(左)压脚	1	135-43012
67		4031209800	LEVER DRIVING PLATE L ASM.	上升调节杆(左)	1	400-06745
68		4031209900	LEVER DRIVING PLATE R ASM.	上升调节杆(右)	1	400-06747
69		S05030	SCREW M6 L=18	螺钉M6X18	1	SM-6061802-TP
70		40128013	WASHER 6.2X13X1	垫圈	1	WP-0621016-SD
71		40312100	HIDDEN-PLATE	供给架压板	1	400-10570
72		403s11035	SCREW M3 L=5	螺钉	2	SM-5030501-SC
73		----	FEED PLATE A	送料板A(标准)	1	141-16107
74		40315001	FEED PLATE B	送料板B(标准)	1	141-16206
75		----	FEED PLATE	送料板C(厚料)	1	135-54803
76		----	FEED PLATE H	送料板D	1	141-16800
77		----	FEED PLATE D	送料板E	1	141-16404
78		403S13002	SCREW M6 L=10	螺钉M6X10	1	SM-3061052-TP
79		40128013	WASHER 6.2X13X1	垫圈	1	WP-0621016-SD
80		40326021	LIFTING LEVER SHAFT B	上升杆轴	1	400-39012
81		403s13016	SCREW M4 L=20	螺钉	2	SM-4042055-SP
82		40328019	WASHER	垫片	2	WP-0450801-SP



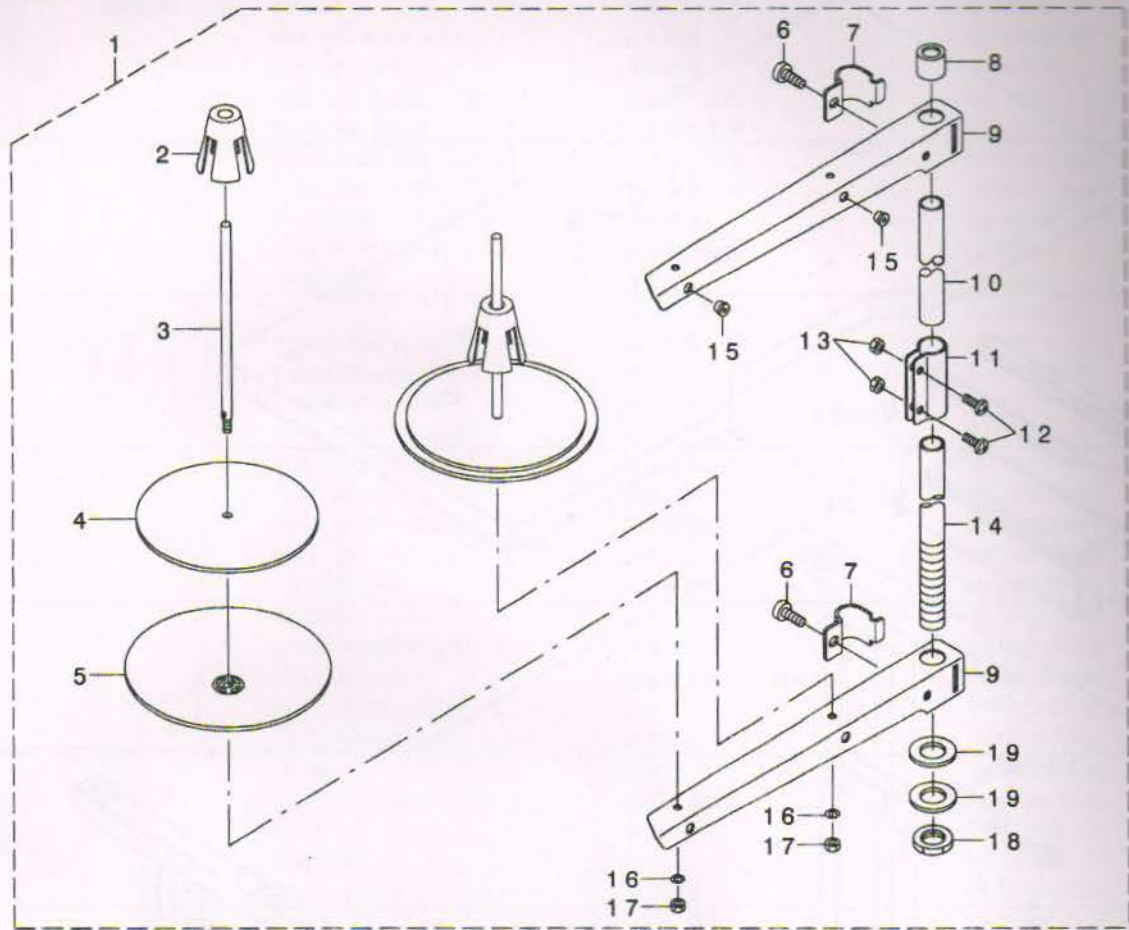
9. SENSOR COMPONENTS  
安全开关部件



序号	注解	公司件号	DESCRIPTION	名称	用量	同类编号
1			AT SENSOR CABLE ASM	抬压传感器电缆	1	400-05729
2			Y SENSOR CABLE ASM	Y向传感器电缆	1	400-05731
3			PE SENSORCABLE ASM	拨线传感器电缆	1	400-05732
4			X SENSOR CABLE ASM	X向传感器电缆	1	400-05730
5			TT SENSOR CABLE ASM	剪线传感器电缆	1	400-05733
6			SAFETY SW ASM	安全开关组件	1	400-06495
7		40312131	SAFETY SW BASE	安全开关架	(1)	400-06496
8		40312132	SAFETY SWITCH ASM	安全开关臂	(1)	J236-38109
9		403s20020	SAFETY SW ASM SHAFT	轴位螺钉	(1)	400-06497
10		40327024	SAFETY SWITCH SPRING	安全开关弹簧	(1)	236-38208
11		40312133	SAFETY SWITCH NUT	安全开关板	(1)	236-38406
12			SAFETY SW CABLE ASM	安全开关感应器组件	(1)	400-05734
13		403s11050	SCREW M2 L=12	螺钉	(2)	SM-4021201-SC
14		40111005	CABLE BAND	扎带	(1)	EA-9500B01-00
15		403S11010	SCREW M5 L=8	螺钉	1	SM-4050855-SP
16			INT PCB ASM	转接板组件	1	400-05664
17			INT PCB	转接板	(1)	400-05660
18			INT CABLE ASM	转接板电缆	(1)	400-05725
19		413s13008	SCREW M4 L=8	螺钉组件	4	SL-4040881-SF
20			HEAD GROUND CABLE A ASM	地线	1	141-15554
21		403s11027	SCREW M4 L=8	螺钉	1	SM-4040855-SP
22		40111005	CABLE BAND	扎带	6	EA-9500B01-00
23		40311023	CABLE BAND 150	扎带	3	EA-9500B02-00
24		40311024	CABLE CLIP	线夹	1	HX-0015000-0K
25		403s11027	SCREW M4 L=8	螺钉	1	SM-4040855-SP
26		413s30007	STUD	定位螺钉	4	HX-0033900-00

# 10. THREAD STAND COMPONENTS

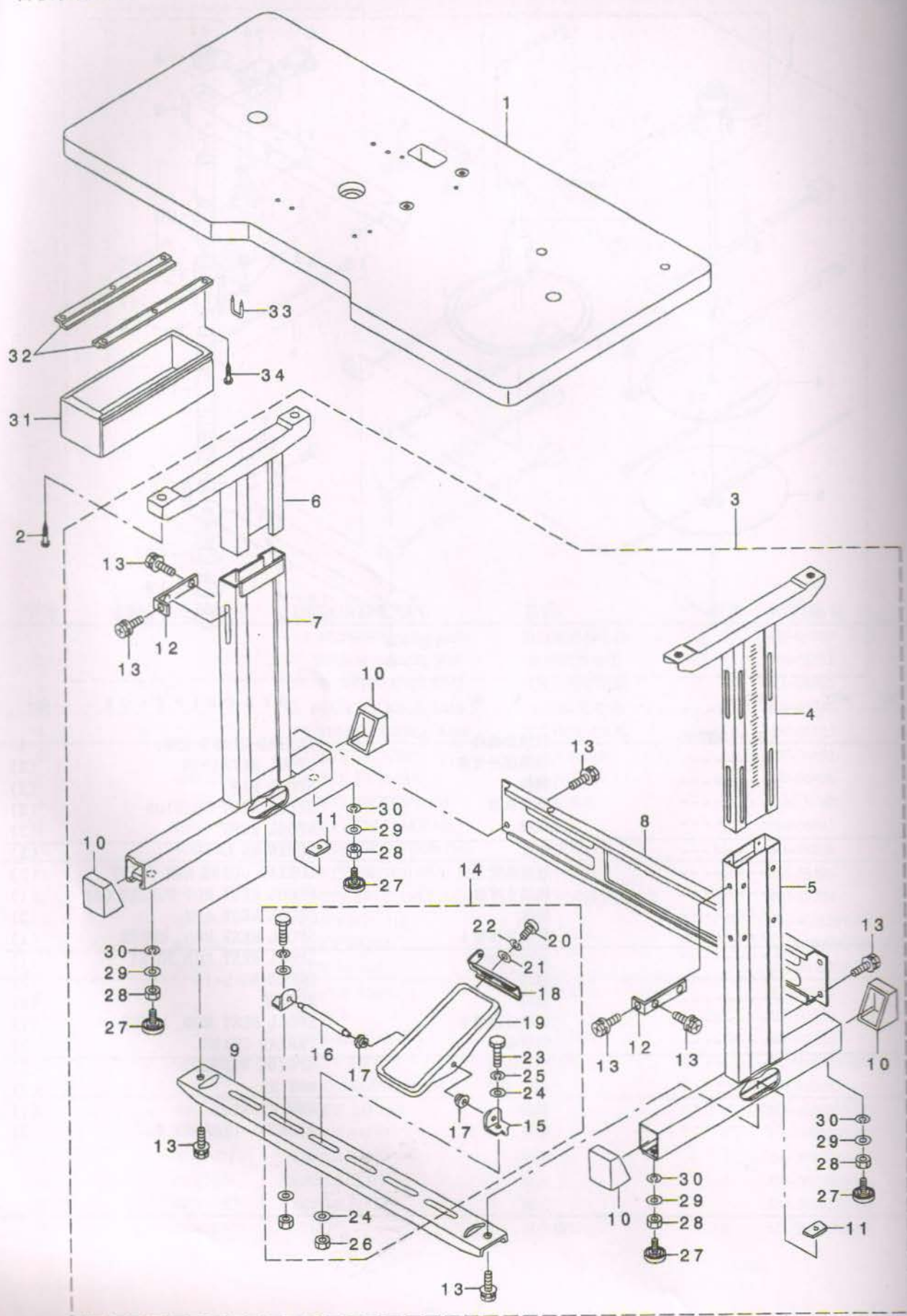
## 线架部件



REF. NO	NOTE	PART NO.	名称	DESCRIPTION	Qty
1		1013100700	过线架组件	THREAD STAND ASM.	1
2		-----	线架缓冲支架	SPOOL RETAINER	(2)
3		-----	线轴	SPOOL PIN	(2)
4		-----	线盘软垫	SPOOL REST CUSHION	(2)
5		-----	线盘	SPOOL REST	(2)
6		-----	螺钉	SCREW M6 L=16	(2)
7		-----	过线架固定夹	THREAD GUIDE ARM JOINT	(2)
8		-----	线架支撑套	SPOOL REST ROD RUBBER CAP	(1)
9		-----	线架	SPOOL REST ARM	(2)
10		-----	线架支撑管 1	SPOOL REST ROD, UPPER	(1)
11		-----	支撑管接头	SPOOL REST ROD JOINT	(1)
12		-----	螺钉	SCREW M5 L=14	(2)
13		-----	螺母	NUT M5	(2)
14		-----	线架支撑管 2	SPOOL REST ROD, LOWER	(1)
15		-----	过线套	THREAD GUIDE	(2)
16		-----	弹簧垫圈	SPRING WASHER	(2)
17		-----	螺母	NUT M5	(2)
18		-----	螺母	NUT M16X1.5	(1)
19		-----	垫片	WASHER 17X30X2.6	(2)



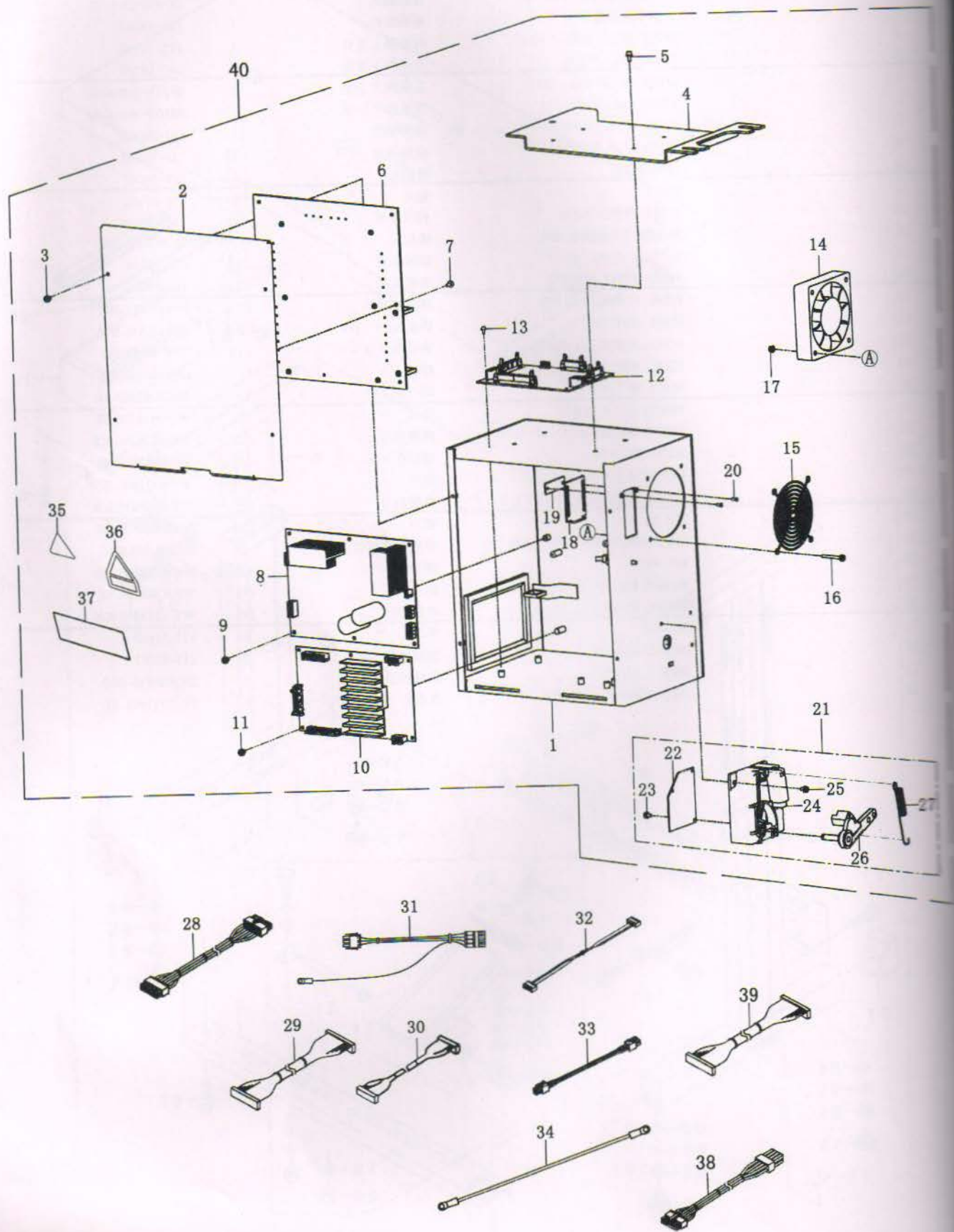
11. TABLE STAND COMPONENTS (JT-K44)  
台板机架部件



序号	注解	公司件号	DESCRIPTION	名称	用量	同类编号
1		40332002	TABLE	台板	1	400-06886
2			WOOD SCREW D=5.1 L=32	自攻螺丝	4	SK-3515201-SE
3			T-STAND COMPL	桌脚组件	1	141-18053
4			UPPER STAND ASM, RIGHT	右桌脚上支架	1	141-18152
5			STAND ASM, RIGHT	右桌脚下支架	(1)	141-18151
6			UPPER STAND ASM, LEFT	左桌脚上支架	(1)	B8101-210-AAB
7			STAND ASM, LEFT	左桌脚下支架	(1)	B8105-210-AAA
8			STAND SIDE SUPPORT	桌脚横撑	(1)	111-58300
9			STAND SIDE SUPPORT	桌脚横撑	(1)	111-58409
10			RUBBER CAP	橡胶套	(4)	111-58607
11			NUT	螺母	(2)	170-07402
12			UPPER STAND PLATE	调节压板	(2)	111-58516
13			WASHER HEXAGONAL BOLT	螺钉	(12)	SL-9082091-SE
14			Z-STAND PEDAL ASM	踏板组件	(1)	138-17754
15			PEDAL SHAFT BRACKET	踏板支架	(2)	111-59001
16			PEDAL CONNECTING ROD	踏板连接轴	(1)	B8153-771-000
17			PEDAL BUSHING	踏板轴衬	(2)	D8113-555-B00
18			PEDAL ADJUSTING PLATE	踏板调节板	(1)	GPF-06080000
19			PEDAL ASM	踏板	(1)	GPF-060600A0
20			SCREW M6 L=12	螺钉M6×12	(2)	SM-9061203-SE
21			WASHER 6.7×13×1	垫片	(2)	WP-0671016-SE
22			SPRING WASHER 6.2×11.4×1.2	弹簧垫片	(2)	WS-0621210-KR
23			SCREW M8 L=20	螺钉M8×20	(2)	SM-9082023-SE
24			WASHER 8.7×18×1.6	垫片	(4)	WP-0871602-SE
25			SPRING WASHER 8.6×15×1.4	弹簧垫片	(2)	WS-0861410-KR
26			NUT M8	螺母	(2)	NM-6080721-SE
27			ADJUSTING SCREW ASM. WITH CAP	带垫调节螺钉	(4)	B8108-555-0A0
28			NUT M12	螺母M12	(4)	NM-6120001-SE
29			WASHER M12	垫片	(4)	WP-1302501-SE
30			SPRING WASHER 12.5×21.5×3	弹簧垫片	(4)	WS-1253010-KN
31			DRAWER	抽屉	1	111-55108
32			DRAWER SUPPORT	抽屉支架	2	111-55207
33			DRAWER STOPPER	抽屉挡板	1	D8204-555-D00
34			WOOD SCREW D=3.1 L=16	木螺钉	6	SK-3311601-SE



12. CONTROL BOX COMPONENTS  
控制箱关系

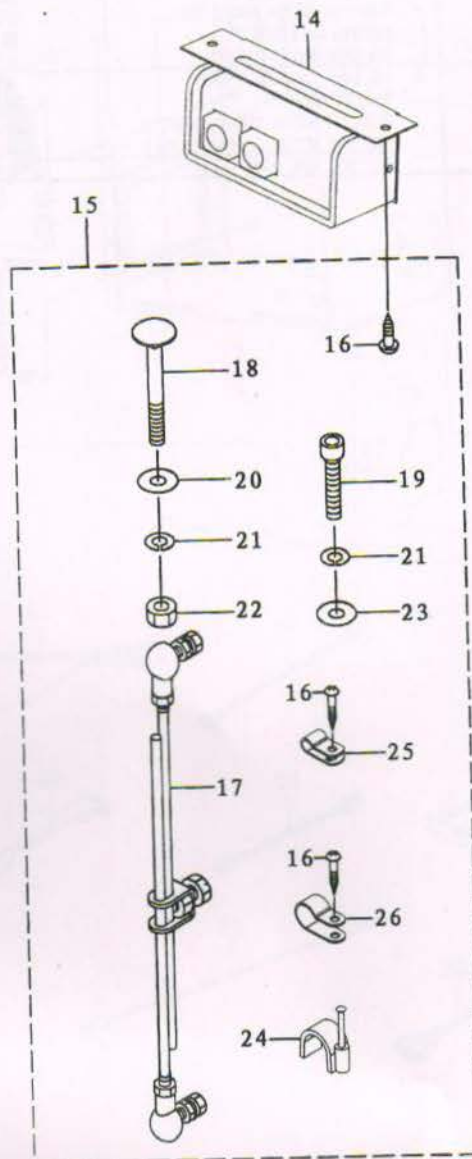
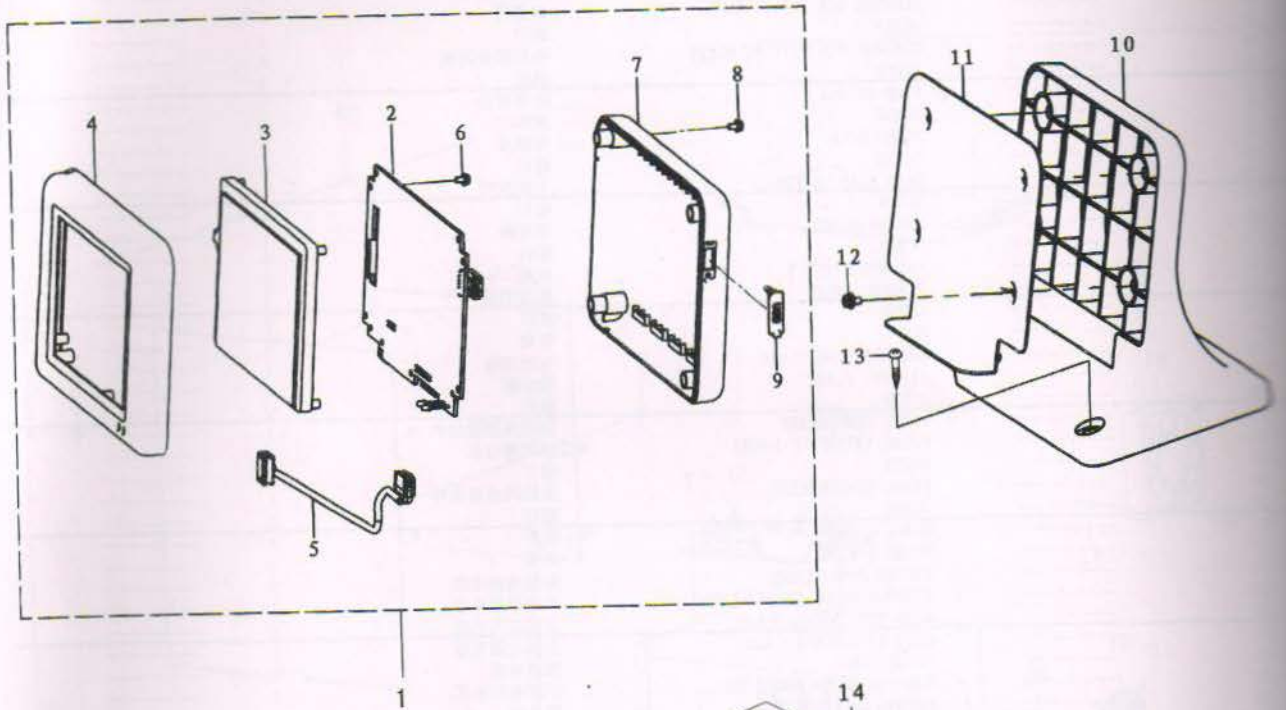


序号	注解	公司件号	DESCRIPTION	名称	用量	同类编号
1			CONTROL BOX	电控箱	1	
2			CONTROL BOX FRONT COVER	前盖板	1	
3			SCREW	螺钉	4	
4			CONTROL BOX FITTING PLATE	电控箱安装板	1	
5			SCREW	螺钉	4	
6			STEP DRIVER	步进驱动	1	
7			SCREW	螺钉	6	
8			POWER BOARD	电源板	1	
9			SCREW	螺钉	6	
10			MAIN AXIS DRIVER	主轴驱动	1	
11			SCREW	螺钉	6	
12			SYSTEM BOARD	系统板	1	
13			SCREW	螺钉	4	
14			FAN MOTOR ASS'Y	风扇	1	
15			FINGER GUIDE	风扇挡板	1	
16			SCREW	螺钉	4	
17			NUT	螺母	4	
18			CORD FITTING PLATE	电线挡板	1	
19			FITTING PLATE	固定板	1	
20			SCREW	螺钉	2	
21			PEDAL SENSOR ASM	脚踏传感器组件	1	
22			PEDAL INTERFACE BOARD	脚踏接口板	1	
23			SCREW	螺钉	3	
24			PEDAL SENSOR BASE	脚踏传感器底座	1	
25			SCREW	螺钉	3	
26			PEDAL LEVER	踏杆	1	
27			FRONT SPRING	弹簧	1	
28			SYSTEM POWER CABEL	系统电源电缆	1	
29			STEPPER MOTOR SIGNAL CABEL	步进信号电缆	1	
30			MAIN AXIS SIGNAL CABEL	主轴信号电缆	1	
31			MAIN AXIS POWER CABEL	主轴电源电缆	1	
32			PEDAL CABEL	脚踏电缆	1	
33			STEPPER MOTOR POWER CABEL	步进电源电缆	1	
34			EARTH CABLE ASM	接地线	1	
35			VOLTAGE WARING LABEL	电压警告标签	1	
36			VOLTAGE CAUTION LABEL	电压提示标签	1	
37			RATING LABEL	铭牌	1	
33			STEPPER MOTOR POWER CABEL 2	步进电源电缆2	1	
39			STEPPER MOTOR SIGNAL CABEL 2	步进信号电缆2	1	
40		4033100300	CONTROL BOX ASM	电控箱组件 (液晶屏)	1	



### 13. OPERATION PANEL COMPONENTS

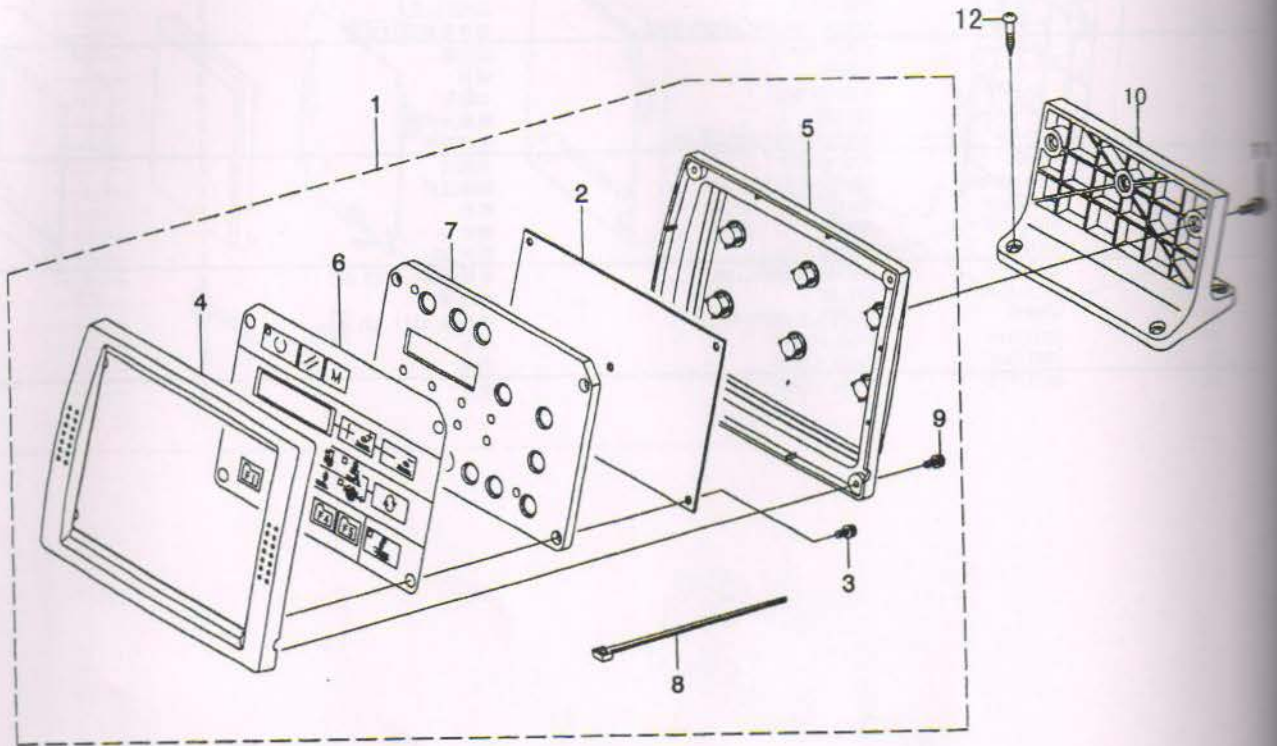
操作屏部件 (液晶式)



序号	注解	公司件号	DESCRIPTION	名称	用量	同类编号
1			OPERATION PANEL ASS'Y	操作面板组件	1	
2			PANEL PCB ASS'Y	面板电路板	1	
3			LCD	液晶屏	1	
4			OPERATION PANEL F	操作面板前盖	1	
5			LCD CABEL	液晶屏电缆		
6			SCREW	螺钉	4	
7			OPERATION PANEL R	操作面板后盖	1	
8			SCREW	螺钉	4	
9			USB COVER	USB接口盖	1	
10			OPERATION BOX FIXED BASE	操作面板固定底座	1	
11			FIXED PLATE	固定板	1	
12			SCREW	螺钉	4	
13			WOOD SCREW	木螺钉	2	
14			SWITCH	电源开关	1	
15			ACCESSORIE PARTS A ASM.	连杆组件	1	
16		s05035	WOOD SCREW	木螺钉	7	
17		4133102000	CONNECTING ROD ASM	脚踏连杆	1	
18		401S30019	BOLT	螺栓	2	
19		403S13020	SCREW	螺钉	1	
20		W01018	WASHER	垫片 M8	2	
21		40128029	SPRING WASHER , M8	弹簧垫圈 8.2X15.4X2	3	
22		401S16018	NUT M8	螺母 M8	2	
23		W01018	WASHER, 8.4X17.4X1.6	垫片 8.4X17.4X1.6	1	
24		40311014	CORD STAPLE	线卡	2	
25		40511001	CABLE CLAMP	线夹	3	
26		40311016	CABLE CLAMP	线夹	2	



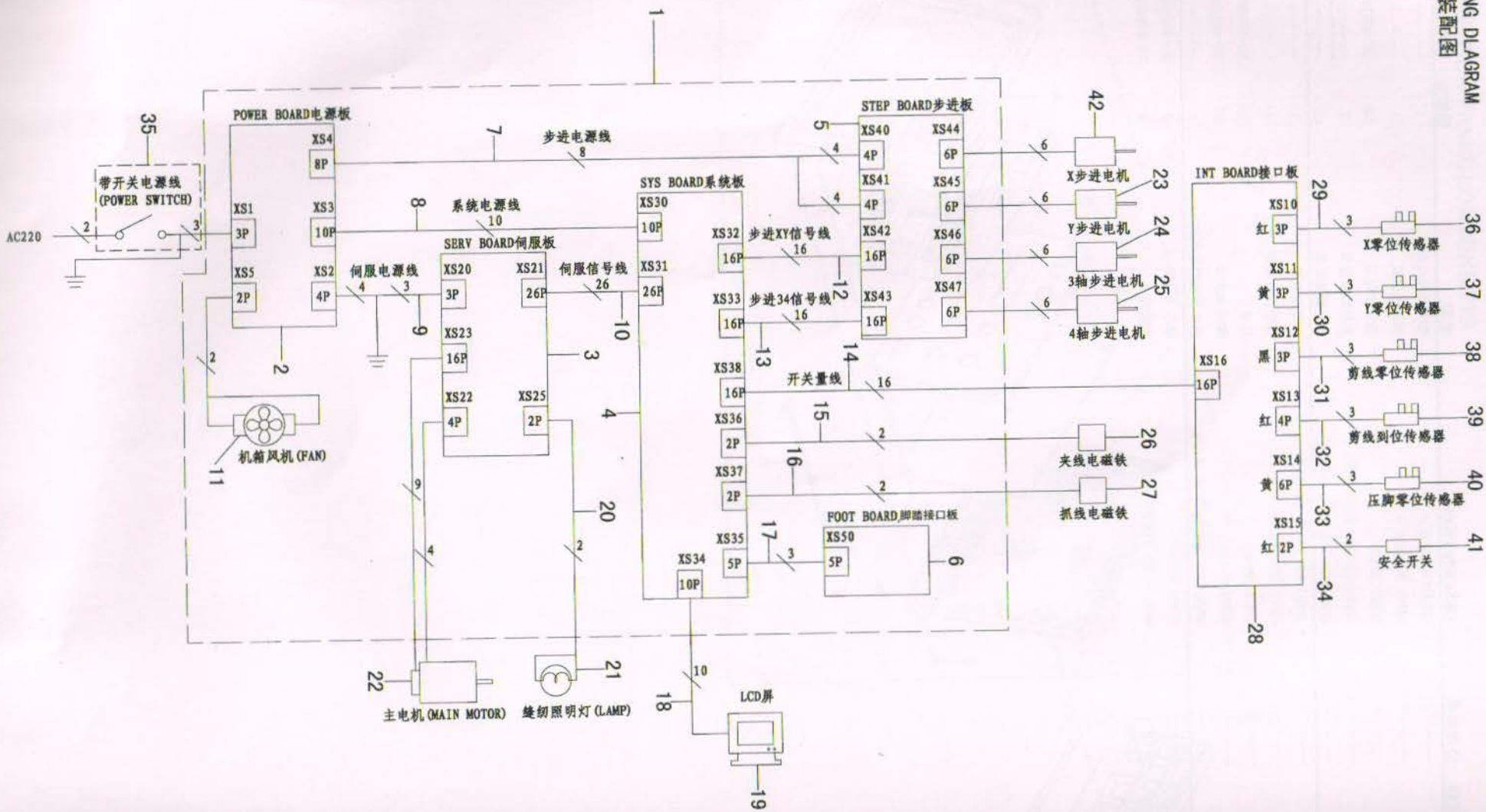
13-1. OPERATION PANEL COMPONENTS  
操作屏部件 (按键式)



序号	注解	公司件号	DESCRIPTION	名称	用量	同类编号
1			OPERATION BOX A ASM.	操作面板组件	1	
2			PANEL PCB ASS'Y	面板电路板	1	
3			SCREW M3X10	螺钉 M3X10	(4)	SL-4031081-SC
4			OPERATION BOX FRONT CASE	操作面板前盖	1	
5			OPERATION BOX REAR CASE	操作面板后盖	(1)	
6			OPERATION PANEL SHEET	操作面板膜	(1)	
7			PANEL PCB HOLDER PLATE	操作面板按键	(1)	
8			CABLE BAND	扎带	(1)	EA-9500B01-00
9			SCREW M3X10	螺钉 M3X10	(4)	SL-4031081-SC
10			OPERATION BOX FITTING PLATE	操作面板固定底座	1	
11			SCREW M4X16	螺钉 M4X16	3	SL-4041691-SC
12			WOOD SCREW D=3.8 L=12	木螺钉	4	SK-3382001-SE



14. WIRING DIAGRAM  
电线装配图

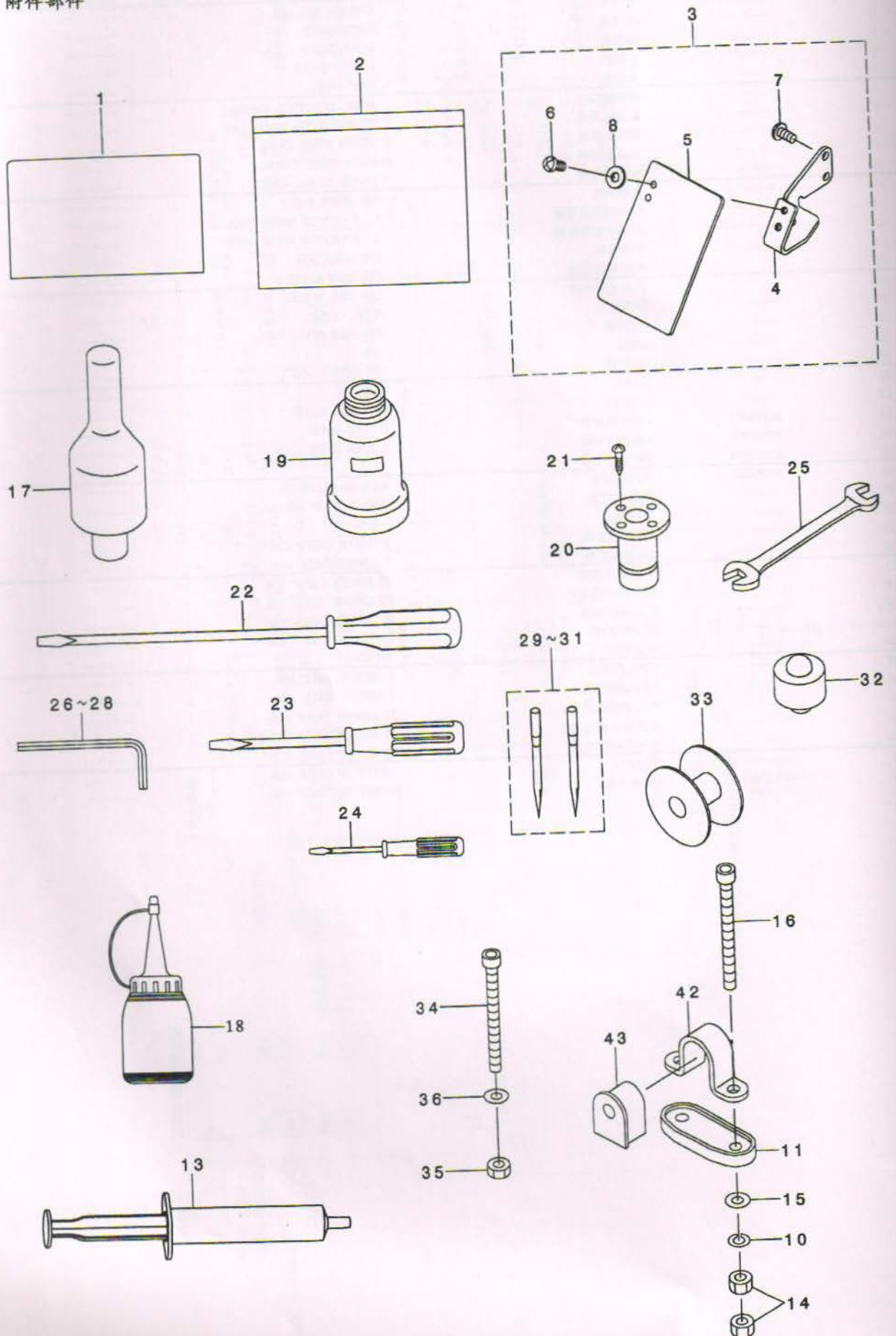


序号	注解	公司件号	DESCRIPTION	名称	用量	同类编号
1		4033103500	电控箱	CONTROL BOX ASM	1	
2			电源板	POWER BOARD	1	
3			伺服板	SERVO BOARD	1	
4			系统板	SYSTEM BOARD	1	
5			步进板	STEP BOARD	1	
6			脚踏接口板	PEDAL INTERFACE BOARD	1	
7			步进电源线	STEPPER MOTOR POWER CAB	1	
8			系统电源线	SYSTEM POWER CABEL	1	
9			伺服电源线	SERVO POWER CABEL	1	
10			系统信号线	SYSTEM SIGNAL CABEL	1	
11			机箱风机	FAN MOTOR ASS'Y	1	
12			X、Y步进信号线	X、Y STEPPER MOTOR SIGN	1	
13			3、4步进信号线	3、4 STEPPER MOTOR SIGN	1	
14			开关量线	INT CABLE ASM	1	
15			夹线电磁铁线	INT CORD A ASS'Y	1	
16			抓线电磁铁线	INT CORD B ASS'Y	1	
17			脚踏线	PEDAL CABEL	1	
18			LCD屏线	INT CORD C ASS'Y	1	
19			LCD屏	LCD	1	
20			LED灯线	INT CORD D ASS'Y	1	
21			LED灯	LED	1	
22			主轴电机	AC SERVO MOTOR	1	
23		40333007	Y向步进电机	Y FEET MOTOR	1	
24		40333005	3轴步进电机	3 FEET MOTOR	1	
25		40333009	4轴步进电机	4 FEET MOTOR	1	
26		40330023	夹线电磁铁	ASSY-AT-SOLENOID	1	
27			抓线电磁铁	THREAD CLAMP SOLENOID	1	
28			接口板		1	
29			X向感应器线	X SENSOR CABLE ASM.	1	
30			Y向感应器线	Y SENSOR CABLE ASM.	1	
31			剪线感应器线	TT SENSOR CABLE ASM.	1	
32			剪线感应器线2	TT SENSOR CABLE ASM 2.	1	
33			抬压感应器线	PE SENSOR CABLE ASM.	1	
34			安全开关线	SAFETY SW CABLE ASM.	1	
35			电源开关	SWITCH	1	
36			X零位感应器	X SENSOR CABLE ASM.	1	
37			Y零位感应器	Y SENSOR CABLE ASM.	1	
38			剪线零位感应器1	TT SENSOR CABLE ASM.	1	
39			剪线零位感应器2	TT SENSOR CABLE ASM 2.	1	
40			抬压零位感应器	PE SENSOR CABLE ASM.	1	
41			安全开关	SAFETY SW CABLE ASM.	1	
42		40333006	X步进电机	SAFETY SW CABLE ASM.	1	



# 15. ACCESSORIE PART COMPONENTS

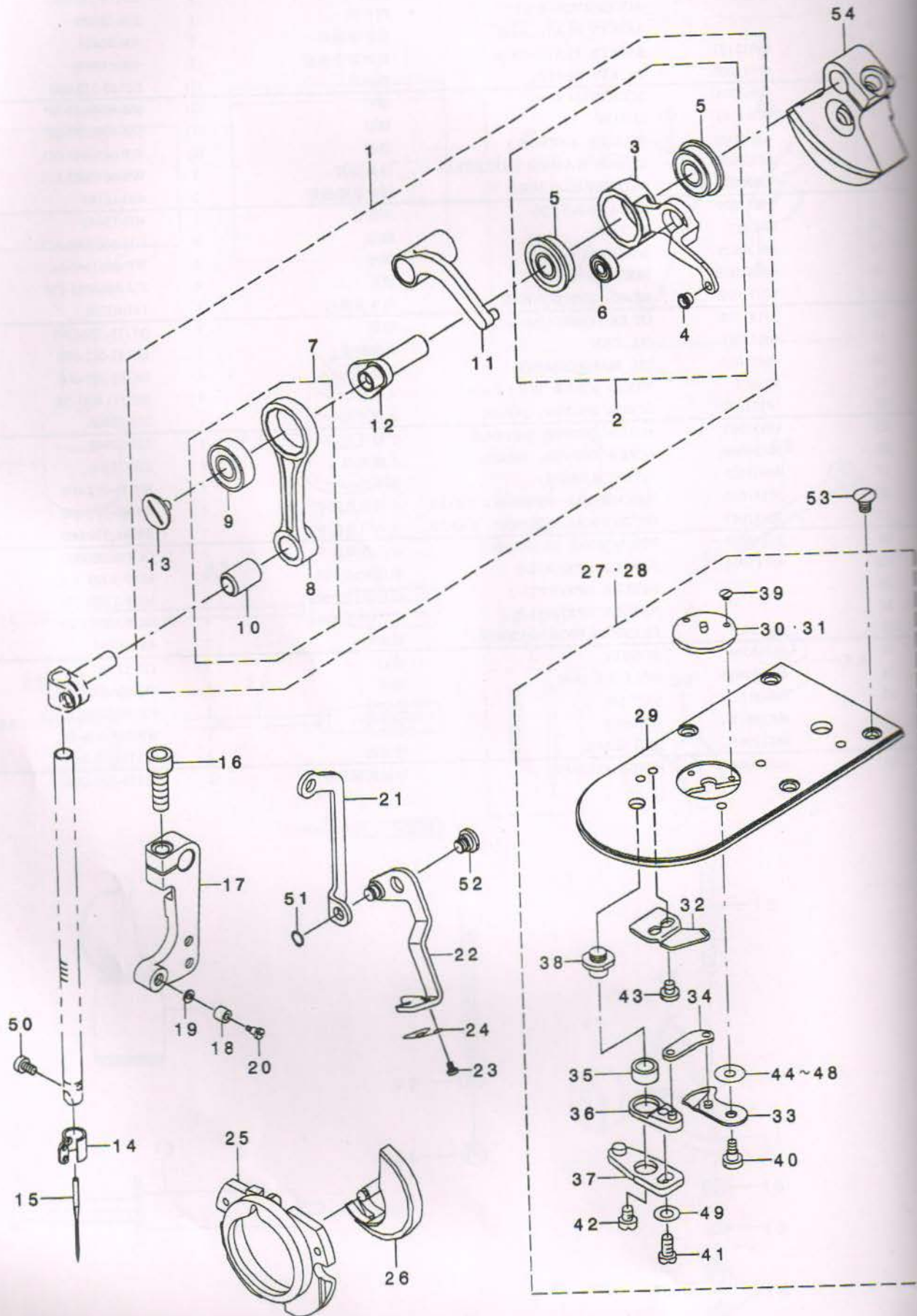
附件部件



序号	注解	公司件号	DESCRIPTION	名称	用量	同类编号
1		40131017	HEAD-COVER	机头罩	1	B9118-232-000
2		-----	ACCESSORIE BAG	附件袋	1	229-32800
3		-----	SAFETY PLATE ASM	防护罩组件	1	400-06484
4		40312127	SAFETY PLATE BASE	防护罩安装板	(1)	400-51987
5		40911006	SAFETY PLATE	防护罩	(1)	B3120-372-000
6		403s11051	SCREW M4 L=6	螺钉	(2)	SM-4040655-SP
7		403s11027	SCREW	螺钉	(1)	SM-4040855-SP
8		40928002	WASHER 4.5X10X0.8	垫圈	(2)	WP-0450801-SD
10		40328039	SPRING WASHER 6.1X12.2X1.5	弹簧垫片	4	WS-0610002-KN
11		40322032	BED-HINGE-RUBBER	铰接板橡皮垫	2	400-16195
13		11411029	GREASE-B-TUBE	润滑脂	1	400-13640
14		N01007	NUT M6	螺母	8	NM-6060001-SC
15		40128013	WASHER	垫片	4	WP-0651646-SC
16		403S10010	BOLT M6 L=60	螺栓	4	SM-6066002-TN
17		40311002	HEAD SUPPORT BAR	机头支撑柱	1	141-01208
18		20131038	OILER (CONTAINING)	油壶	1	B9121-220-0A0
19		40311011	OIL CAN	回油油壶	1	B9121-012-000
20		40311010	OIL MANAGEMENT	油壶接头	1	B8202-205-000
21		S01003	WOOD SCREW D=3.1 L=16	木螺钉	4	SK-3311601-SE
22		10131002	SCREW DRIVER, LARGE	大螺丝刀	1	229-33006
23		10131003	SCREW DRIVER, MIDDLE	中螺丝刀	1	229-33105
24		10131004	SCREW DRIVER, SMALL	小螺丝刀	1	229-33204
25		40931025	WRENCH (9X10)	扳手	1	B9113-012-000
26		30131010	HEXAGONAL WRENCH, SMALL	小内六角扳手	1	B9140-372-000
27		20131047	HEXAGONAL WRENCH, LARGE	大内六角扳手	1	B9141-372-000
28		30131012	HEXAGONAL SRANNER	中内六角扳手	1	GCT-02906000
29		40117001	NEEDLE DPX5 #16-2	机针DPx5 #16	4	MDP-500B1402
30		-----	NEEDLE DPX17 #21-2	机针DPx17 #21	4	MDP-170B2102
31		-----	NEEDLE DPX5 #11-2	机针DPx5 #11	4	MDP-500B1102
32		40322033	FRAME-SUPPORT-RUBBER	橡皮垫	2	400-16194
33		40118004	BOBBIN	梭心	3	138-12102
34		403S10010	BOLT M6 L=60	螺栓	1	SM-6066002-TN
35		N01007	NUT M6	螺母	1	NM-6060001-SC
36		40128013	WASHER	垫片	1	WP-0651646-SC
42		40312001	BED HINGE	铰接板	2	B1111-210-D00
43		40322003	HINGE RUBBER	铰接板橡胶座	2	B1115-210-D00



20. EXCLUSIVE PARTS FOR JK-T1903AS-301, JK-T1903AS-302 (1)  
 JK-T1903AS 专用部件1

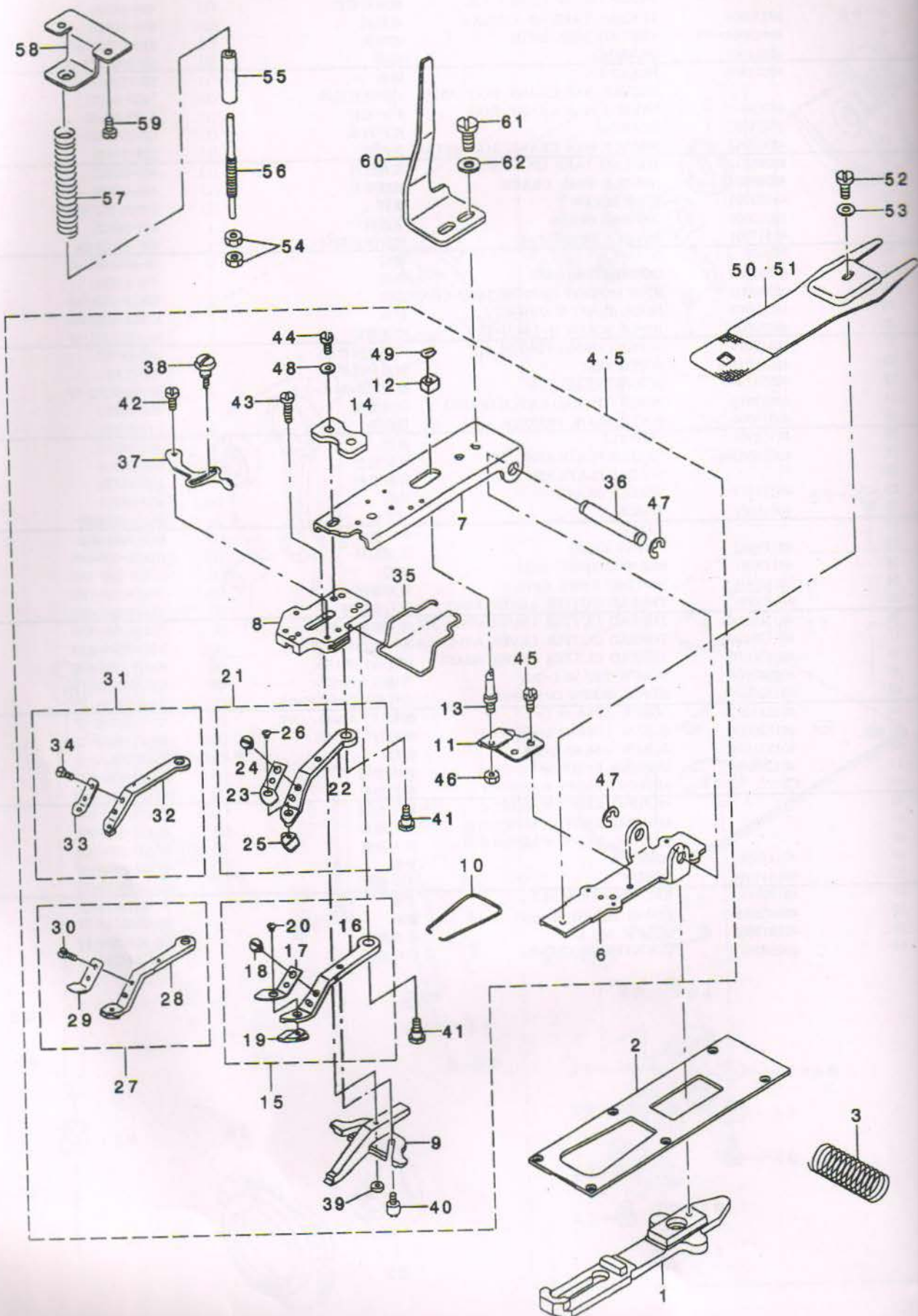


序号	注解	公司件号	DESCRIPTION	名称	用量	同类编号
1		4053800200	THREAD TAKE UP B COMPL.	挑线连杆组件	1	400-06923
2		-----	THREAD TAKE UP LEVER B ASM.	挑线杆组件	(1)	400-06924
3		40338003	THREAD TAKE UP LEVER	挑线杆	(1)	400-06925
4		40313008	THREAD PASS BUSH	过线管	(1)	B1908-505-000
5		40324005	BEARING	轴承	(2)	SB-1080022-00
6		40324006	BEARING	轴承	(1)	SB-1040016-00
7		-----	NEEDLE BAR CRANK ROD ASM.	针杆连杆组件	(1)	]400-06534
8		40305011	NEEDLE BAR CRANK ROD	针杆连杆	(1)	]400-06535
9		40324007	BEARING	连杆轴承	(1)	SB-1080023-00
10		40303014	NEEDLE BAR CRANK ROD METAL	连杆套	(1)	228-91006
11		40305012	THREAD TAKE UP CRANK	驼背连杆	(1)	400-06532
12		40504004	NEEDLE ROD CRANK	挑线曲柄	(1)	400-06926
13		403S30011	LEFT SCREW	螺钉	(1)	B1903-552-000
14		40313009	THREAD GUIDE	下过线	1	400-06525
15		40517001	NEEDLE DPX17 #14	机针DPx17#14	1	MDP-170B1400
16		S05030	SCREW	螺钉	1	SM-6061802-TP
17		40504005	CONNECTING ARM	曲柄	1	400-11949
18		40503001	STOP MOTION TRIPPING LEVER OAM	滚筒	1	B2619-372-000
19		40528001	HOOK SHAFT WASHER	垫片	1	B1853-512-00E
20		405S20001	HINGE SCREW D=7.94 H=12.7	铰链螺钉	1	SD-0791271-SP
21		40512014	WIPER-CONNECTING-PLATE	扫线连接拉板	1	400-06937
22		4051201500	WIPER ASM	扫线杆组件	1	400-33047
23		405S11007	SCREW 3/32-56 L=2.8	螺丝3/32-56 L=2.8	2	SS-5060310-SP
24		40527014	WIPER THREAD CATCH SPRING	钩线弹簧	1	400-09860
25		40318004	INNER HOOK PRESSER ASM., C	梭床盖	1	141-03352
26		40118501	SHUTTLE	梭托	1	400-06580
27		4051500300	NEEDLE PLATE ASM., M	针板组件	1	400-06725
28		-----	NEEDLE PLATE ASM., K	针板组件	1	400-06726
29		40315013	NEEDLE PLATE	针板	(1)	400-06721
30		40515001	GUIDE	小针板	(1)	MAZ-15801000
31		-----	GUIDE	小针板	(1)	MAZ-15601000
32		40119002	FIXING KNIFE	固定刀片	(1)	B2424-280-000
33		40119001	MOVING KNIFE ASM.	转刀	(1)	B2421-280-0A0
34		40105003	MOVING KNIFE LINK	转刀连接杆	(1)	B2418-280-000
35		40103009	THREAD CUTTER LEVER RING	转刀连接环	(1)	B2416-280-000
36		4011202000	THREAD CUTTER LEVER ASM. ,SM	转刀驱动杆组件	(1)	B2415-280-0A0
37		4011202200	THREAD CUTTER LEVER ASM. ,LA	转刀驱动架组件	(1)	B2414-280-0A0
38		403S30004	THREAD CUTTER LEVER SHAFT	切线摇杆螺柱	(1)	B2417-280-000
39		401S17006	SCREW 3/32-56 L=2.2	开槽沉头螺钉	(2)	SS-1060210-TP
40		401S20007	HINGE SCREW D=5 H=0.9	合叶螺丝D=5.0 H=0.9	(1)	SD-0500091-TP
41		401S11021	SCREW 11/64-40 L=7	螺钉11" /64-40、L=7	(1)	SS-7110740-TP
42		401S20008	SCREW 11/64-40 L=4.0	螺钉11" /64-40、	(1)	SS-6110430-TP
43		401S11020	SCREW 9/64-40 L=3.5	螺钉	(2)	SS-7090410-SP
44		40128009	MOVING KNIFE WASHER A	转刀垫圈	(1)	B2423-280-00A
45		-----	MOVING KNIFE WASHER B	转刀垫圈	(1)	B2423-280-00B
46		-----	MOVING KNIFE WASHER C	转刀垫圈	(1)	B2423-280-00C
47		-----	MOVING KNIFE WASHER D	转刀垫圈	(1)	B2423-280-00D
48		-----	MOVING KNIFE WASHER E	转刀垫圈	(1)	B2423-280-00E
49		40128008	WASHER	垫圈	(1)	WP-0450846-SP
50		301S11014	SCREW	支针螺钉	1	SM-6030500-SN
51		40108011	RETAINING RING 4.7	卡簧	1	RC-0470611-KP
52		403s20016	HINGE SCREW D=6.35 H=2.1	螺钉	1	SD-0640216-TP
53		403S17002	SCREW M4 L=6	针板螺钉	4	SM-1040650-TP
54		40510001	COUNTER-WEIGHT-B	针杆曲柄	1	400-10429



21. EXCLUSIVE PARTS FOR JK-T1903AS-301, JK-T1903AS-302 (2)

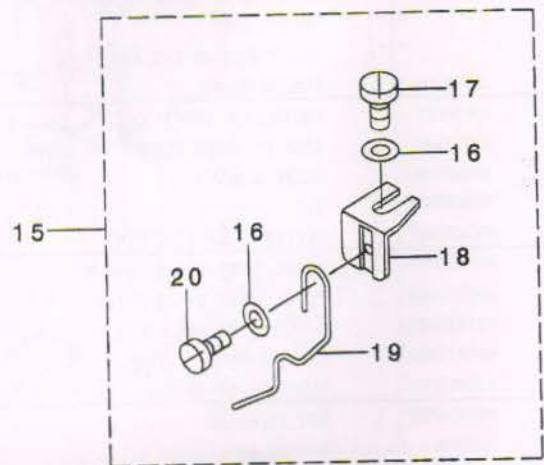
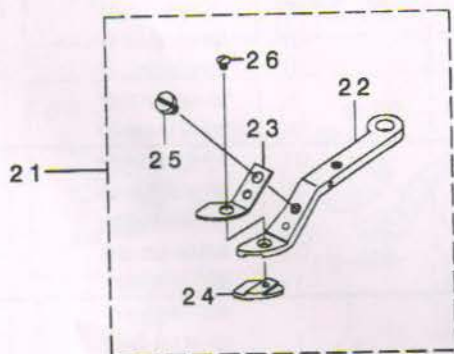
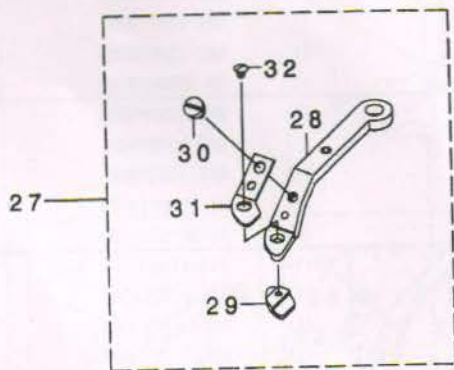
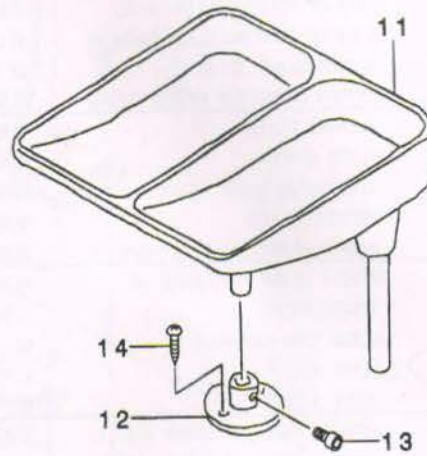
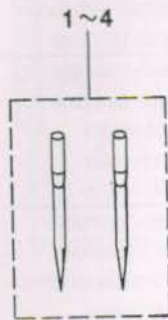
JK-T1903A专用部件2



序号	注解	公司件号	DESCRIPTION	名称	用量	同类编号
1		40504002	CLOTH FEED PLATE	供给金属板组件	1	141-45106
2		40512017	CROTH FEED PRESSER PLATE B	供给压板	1	400-06935
3		40527015	VERTICAL FEED SHAFT SPRING	弹簧	1	141-48407
4		-----	VERY SMALL CLAMP MECHANISM ASM.	抓脚组件	1	141-45858
5		-----	MEDIUM CLAMP MECHANISM ASM.	抓脚组件	1	141-45650
6		40512005	PICK-UP INSTALING BASE	爪脚提升板B	(1)	141-46104
7		40512004	PICK-UP FOOTINSTALING BASE	爪脚提升板A	(1)	141-46203
8		40509003	PICK-UP FOOTINSTALING BASE	安装板	(1)	141-46302
9		40501004	BUTTON CLAMP SLIDE	调节板	(1)	B2552-372-000
10		40527010	BUTTON CLAMP JAW LEVER SPRING	弹簧	(1)	MAZ-15513000
11		40512006	SUPPORT PLATE	安装板	(1)	MAZ-15514000
12		40509002	SLIDE BLOCK	滑块	(1)	MAZ-15515000
13		405S30001	STATIONING BLOCK SHAFT	螺栓	(1)	135-40901
14		40512010	PRESSER PLATE	安装板	(1)	141-46401
15		-----	MIDDLE CLAMP JAW LEVER ASM., R	右抓脚臂组件	(1)	141-49058
16		40516001	MIDDLE CLAMP JAW LEVER , R	右爪脚臂	(1)	MAZ-15507000
17		40527002	SPRING, RIGHT	压簧板	(1)	MAZ-15509000
18		405S11003	SCREW 9/64-40 L=3.5	螺钉	(1)	SS-7090410-SP
19		40516002	PLATE L, R	右压料板	(1)	141-49009
20		201S17001	SCREW 3/32-56 L=3	螺钉	(1)	SS-2060310-SP
21		-----	MIDDLE CLAMP JAW LEVER ASM., L	左抓脚臂组件	(1)	141-49157
22		40516003	MIDDLE CLAMP JAW LEVER , L	左爪脚臂	(1)	MAZ-15508000
23		40527003	SPRING, LEFT	压簧板	(1)	MAZ-15510000
24		405S11003	SCREW 9/64-40 L=3.5	螺钉	(1)	SS-7090410-SP
25		40516004	PLATE L, L	左压料板	(1)	141-49108
26		201S17001	SCREW 3/32-56 L=3	螺钉	(1)	SS-2060310-SP
27		-----	EXTRA SMALL CLAMP LEVER ASM., R	右抓脚臂组件	(1)	MAZ-158070BB
28		-----	EXTRA SMALL CLAMP LEVER ASM., R	右爪脚臂	(1)	MAZ-158070AB
29		-----	SPRING, RIGHT	压簧板	(1)	MAZ-15809000
30		-----	SCREW 9/64-40 L=3.5	螺钉	(1)	SS-7090410-SP
31		-----	EXTRA SMALL CLAMP LEVER ASM., L	左抓脚臂组件	(1)	MAZ-158080BB
32		-----	EXTRA SMALL CLAMP LEVER ASM., L	左爪脚臂	(1)	MAZ-158080AB
33		-----	SPRING, LEFT	压簧板	(1)	MAZ-15810000
34		-----	SCREW 9/64-40 L=3.5	螺钉	(1)	SS-7090410-SP
35		40527004	FINGER GUARD	护手	(1)	D3130-MIY-C00
36		40526001	INSTALLING SHAFT	连接销	(1)	141-41402
37		40912003	SNAP FASTENER CLAMP STOP LEVER	调节扳手	(1)	B2548-372-000
38		409S20003	CLAMP SCREW A	铰链螺钉A	(1)	B2549-372-000
39		405s20006	NUT	螺母	(1)	B2553-372-000
40		405s20007	BUTTON CLAMP STOP PIN	螺钉	(2)	B2560-372-000
41		405S20005	HINGE SCREW D=6.35 H=3.9	螺钉	(2)	SD-0640391-TP
42		409S20002	HINGE SCREW D=5.5 H=1.8	螺钉	(1)	SD-0550181-SP
43		405S20004	HINGE SCREW D=5.5 H=3	螺钉	(1)	SD-0550301-SP
44		409S12001	SCREW 3/16-32 L=13.5	螺钉	(2)	SS-9621413-SP
45		405S12001	SCREW 11/64-40 L=4	螺钉	(2)	SS-9110460-CP
46		401S16002	NUT 15/64-28	螺母	(1)	NS-6150310-SP
47		H03006	E-RING 7	卡簧	(2)	RE-0700000-K0
48		W01013	WASHER 5X10.5X1	垫片	(2)	WP-0501016-SD
49		H05007	SNAP RING, FOR CONNECTING ROD	卡簧	(1)	D2548-232-D00
50		40515004	PRESSURE PLATE	送料板	1	MAZ-15502000
51		40515005	PRESSURE PLATE	送料板	1	MAZ-15602000
52		405S12003	SCREW 11/64-40 L=5.3	螺钉	1	SS-9110543-CP
53		W01013	WASHER 5X10.5X1	垫片	1	WP-0501016-SD
54		405S16001	THREAD TENSION NUT	螺母	2	B3125-012-000
55		40503002	SLEEVE	轴套	1	D2527-232-D00
56		405S30004	ADJUSTING SHAFT	调节螺柱	1	141-46906
57		40527005	PRESSURE SPRING	弹簧	1	138-12003
58		40512007	ACCEPT PLATE, UPPER	安装板	1	138-11906
59		403S13011	SCREW	螺钉	2	SM-5040855-SN
60		40512008	MOVING PLATE	提升控制板	1	MAZ-15516000
61		405S12002	SCREW 15/64-28 L=11	螺钉	2	SS-9151120-CP
62		40128014	WASHER 6.1X15.2X2.5	垫片	2	WP-0612516-SD



22. ACCESSORIES PARTS FOR JK-T1903AS  
JK-T1903AS 附件部件



序号	注解	公司件号	DESCRIPTION	名称	用量	同类编号
1			NEEDLEDPx5#14-2	机针DPx5#14-2	4	MDP-500B1402
2			NEEDLEDPx5#16-2	机针DPx5#16-2	4	MDP-500B1602
3			NEEDLEDPx17#21-2	机针DPx17#21-2	4	MDP-170B2102
4		40517001	NEEDLEDPx17#14-2	机针DPx17#14-2	4	MDP-170B1402
11		4091100100	BUTTON TRAY ASM	纽扣盘	1	178-48458
12		300941	BUTTON TRAY BASE	纽扣盘固定座	1	400-33635
13		S10009	SCREW M6 L=12	螺钉M6X12	1	SM-6061202-TP
14		S05035	WOODSCREW D=4.1 L=12	木螺丝	2	SK-3412001-SE
15			BUTTON RISING BAR ASM.	松线板组件	1	141-46757
16		40928021	WASHER 3.7X8X0.3	垫圈3.7X8X0.3	(2)	WP-0370316-SD
17		405S11006	SCREW 9/64-40 L=8	螺钉9/64-40 L=8	(1)	SS-9090813-TP
18		40512013	INSTALLING BASE	安装板	(1)	141-46807
19		40527013	BUTTON RISING BAR	纽扣松紧板	(1)	141-46708
20		301S11014	SCREW 1/8-44 L=2.9	螺钉1/8-44 L=2.9	(1)	SS-6080340-SP
21			SMALL CLAMP JAW LEVER ASM , R	右抓脚臂组件	1	141-48852
22		40516009	SMALL CLAMP JAW LEVER , R	右抓脚臂	(1)	MAZ-15507000
23		40527009	SPRING, RIGHT	右压簧片	(1)	MAZ-15509000
24		40516007	PLATE K, R	右压料板	(1)	141-48803
25		405S11003	SCREW 9/64-40 L=3.5	螺钉9/64-40 L=3.5	(1)	SS-7090410-SP
26		401S11020	SCREW 3/32-56 L=3	螺钉3/32-56 L=3	(1)	SS-2060310-SP
27			SMALL CLAMP JAW LEVER ASM , L	左抓脚臂组件	1	141-48951
28		40516008	SMALL CLAMP JAW LEVER , L	左抓脚臂	(1)	MAZ-15508000
29		40516005	PLATE K, L	左压料板	(1)	141-48902
30		405S11003	SCREW 9/64-40 L=3.5	螺钉9/64-40 L=3.5	(1)	SS-7090410-SP
31		40527008	SPRING, LEFT	左压簧片	(1)	MAZ-15510000
32		401S11020	SCREW 3/32-56 L=3	螺钉3/32-56 L=3	(1)	SS-2060310-SP